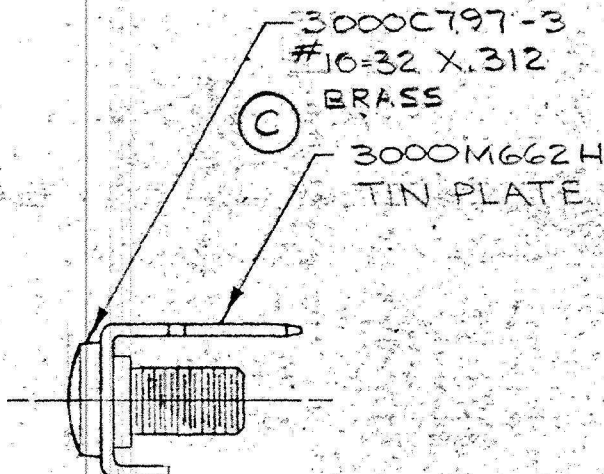
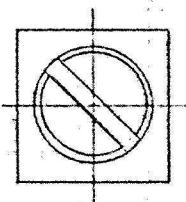


DEPT.	
1	2
2	7
3	
4	
5	2
6	
7	
8	
9	
10	
11	
12	5

SCREW & TERMINAL SUB ASSEMBLY



NOTE:

1. TO BE ASSEMBLED BY BODINE MACHINE.

3. TO ACCEPT A .250 X .032 FEMALE QUICK-CONNECT.

(C)

ORIGINAL IN RED

ARK-LES UNCONTROLLED

				RELEASED FOR PRODUCTION	1-3-74	PER CAB.	TOLERANCES UNLESS OTHERWISE SPECIFIED:	
				RELEASED FOR QUOTATION			DECIMALS ±.010	ANGLES ±1°
C	REVISED PER ECR 7829	2-8-70	P.P.	NEW DRAWING SUPERSEDES			DO NOT SCALE DRAWING	
B	No. WAS 386 10 307 PER ECR 306	11-13-74	R.T.	DRAWN BY P.C.		MATERIAL	k	
A	NOTE #2 ADDED PER JOHN TORR1	1-25-74	P.C.	CHECKED BY				
	REVISIONS	DATE	APP.	APPROVED BY		FINISH	k	

DATE OF DRAWING 12-21-73

SCALE 2 TO 1

DATE OF PRINT