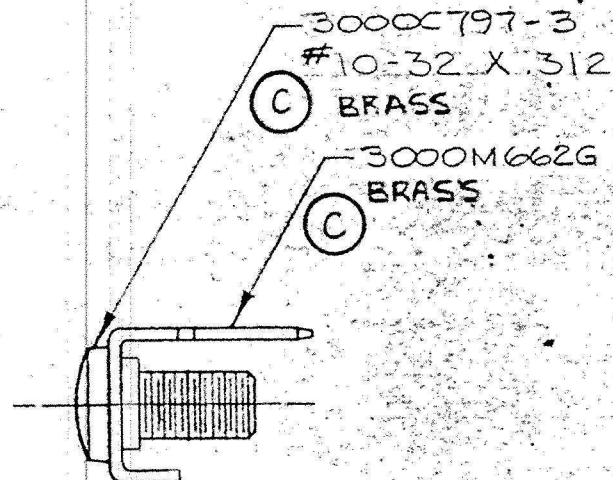
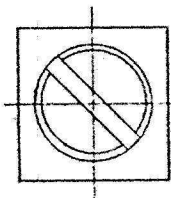


386 10 306

DEPT.	
1	✓
2	1
3	
4	
5	✓
6	
7	
8	
9	
10	
11	
12	5

SCREW & TERMINAL SUB ASSEMBLY



NOTE:

1. TO BE ASSEMBLED BY BODINE MACHINE.

3. TO ACCEPT A .250 X .032 FEMALE QUICK-CONNECT.

ORIGINAL IF RED

ARK-LES UNCONTROLLED

			RELEASED FOR PRODUCTION	1-3-74	PER CAB	TOLERANCES UNLESS OTHERWISE SPECIFIED:	
			RELEASED FOR QUOTATION			DECIMALS ±.010	ANGLES ±1°
C	REVISED PER ECR 7829	2-8-90	PJP	NEW DRAWING SUPERSEDES		DO NOT SCALE DRAWING	
B	NO. WAS 386 10 306 PER ECR 306	11-13-74	R.T.	DRAWN BY P.C.	MATERIAL	AL	
A	NOTE #2 ADDED PER JOHN TORRI	1-25-74	P.C.	CHECKED BY	LDH		
	REVISIONS	DATE	APP.	APPROVED BY	FINISH	JK	

DATE OF DRAWING 12-21-73

SCALE 2 TO 1

DATE OF PRINT