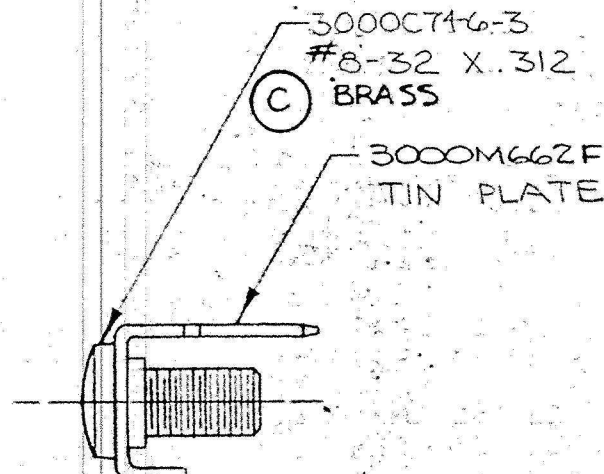
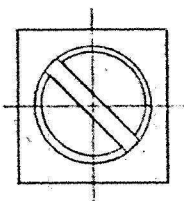


DEPT.	
1	2
2	7
3	
4	
5	2
6	
7	
8	
9	
10	
11	
12	5

SCREW & TERMINAL SUB ASSEMBLY



NOTE:

1. TO BE ASSEMBLED BY BODINE MACHINE.

Ⓢ 3. TO ACCEPT A .250 X.032 FEMALE QUICK-CONNECT.

ARK-LES UNCONTROLLED

ORIGINAL IN RED

				RELEASED FOR PRODUCTION	1-3-74	PER CAB		TOLERANCES UNLESS OTHERWISE SPECIFIED:	
				RELEASED FOR QUOTATION				DECIMALS ±.010	ANGLES ±1°
C	REVISED PER ECR 7829	2-8-90	PJD	NEW DRAWING SUPERSEDES				DO NOT SCALE DRAWING	
B	NO. WAS 386 10 305 PER ECR 306	11-13-74	R.T.	DRAWN BY P.C.			MATERIAL	AK	
A	NOTE #2 ADDED PER JOHN TORRI	1-25-74	P.C.	CHECKED BY			FINISH	AK	
	REVISIONS	DATE	APP.	APPROVED BY					

DATE OF DRAWING 12-21-73

SCALE 2 TO 1

DATE OF PRINT