

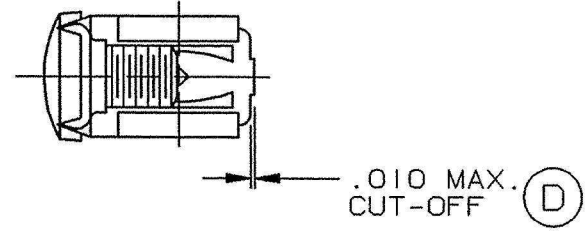
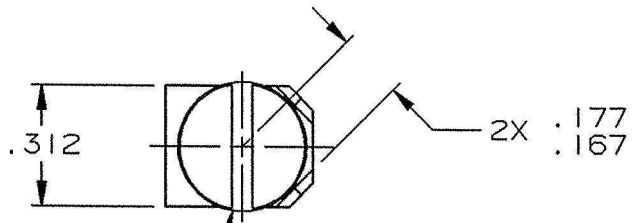
# ARK-LES CORPORATION

STOUGHTON, MA

DEPT	
1	1
2	
3	
4	2
5	
6	
7	
8	
9	
10	
11	
12	8
NC	
JZ	

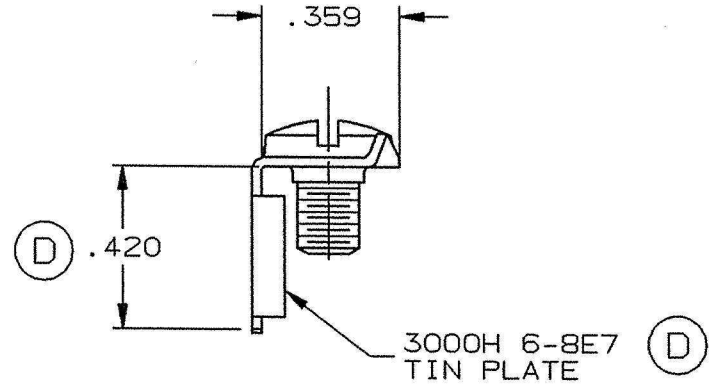
PART NAME: TERMINAL & SCREW ASSEMBLY

PART NO: 3000S 25C



2920-8C  
#8-32 X .250  
BINDING HEAD SCREW  
TIN PLATE

NOTES:  
1. TO ACCEPT A .250 X .032 MALE TAB.



**ARK-LES  
UNCONTROLLED**

				PROD. REL.	96559	1/6/74	PC	TOLERANCES UNLESS OTHERWISE SPECIFIED:		
				QUOTE REL.				DECIMALS ±.010	METRIC ±0.25mm	ANGLES ±1°
				DR:	R. TASTULA	1/31/02		MATERIAL:		
				CHK'D:	R.W.T.	2-4-02		FINISH:		
				APP:	<i>[Signature]</i>	2-11-02		PART NO: 3000S 25C		
D	REV. & REDWN PER ECR #12253	1/31/02	RT	SUPERCEDES DWG. DATED:	1/16/74					
REV.	DESCRIPTION	DATE	DR.	SCALE: 2:1	CAD NO: ATRO017					

ORIGINAL IF RED