

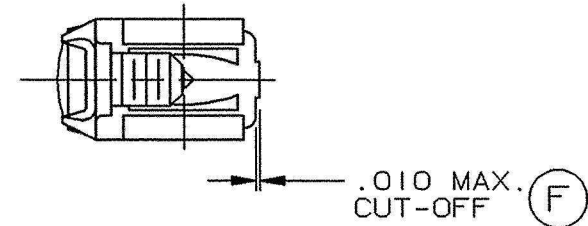
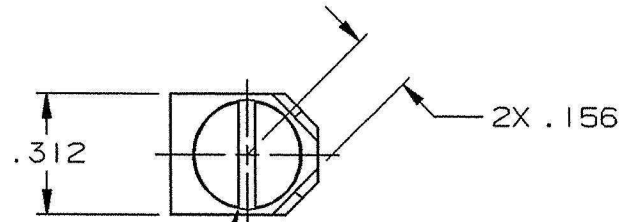
ARK-LES CORPORATION

STOUGHTON, MA

DEPT	
1	1
2	
3	
4	2
5	
6	
7	
8	
9	
10	
11	
12	8
NC	
JZ	

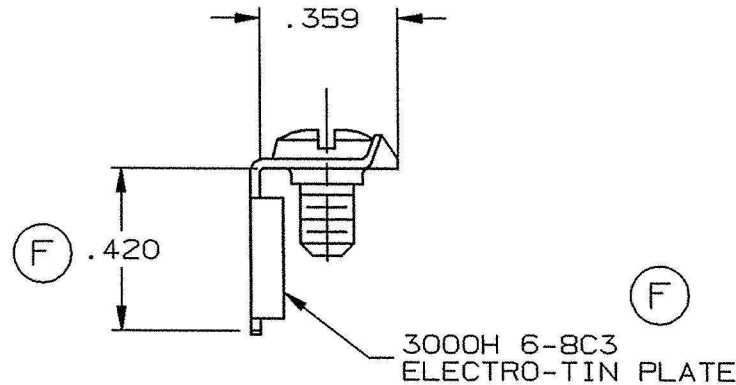
PART NAME: TERMINAL & SCREW ASSEMBLY

PART NO: 3000S 25A



3000S 25-1A
#6-32 X .250
BINDING HEAD SCREW
ELECTRO-TIN PLATE

NOTES:
1. TO ACCEPT A .250 X .032 MALE TAB.



**ARK-LES
UNCONTROLLED**

				PROD. REL.	33023	1/26/59	BA	TOLERANCES UNLESS OTHERWISE SPECIFIED:		
				QUOTE REL.	33023	1/26/59	BA	DECIMALS ±.010	METRIC ±0.25mm	ANGLES ±1°
				DR:	R. TASTULA	1/31/02		MATERIAL:		
				CHK'D:	R.W.JT.	2-4-02		FINISH:		
F	REV. & REDWN PER ECR #12253	1/31/02	RT	APP:	NOB	2-11-02		PART NO: 3000S 25A		
REV.	DESCRIPTION	DATE	DR.	SCALE: 2:1	CAD NO: AT0015					

ORIGINAL IF RED