

DEPT.	1	7
	2	
	3	
	4	7
	5	
	6	
	7	7
	8	
	9	
	10	
	11	
	12	
TOOLED		

TERMINAL - FEMALE

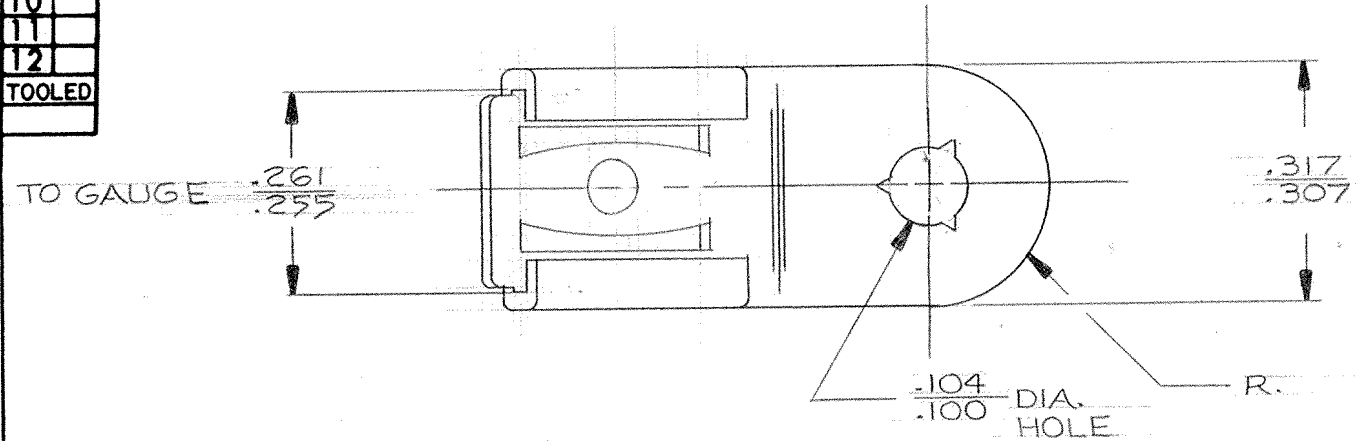
CUSTOMER PRINT

PART NO.	MATERIAL	FINISH
3000 H74	.025 THICK BRASS	ELECTRO-TIN PLATE
3000 H74LP		NONE

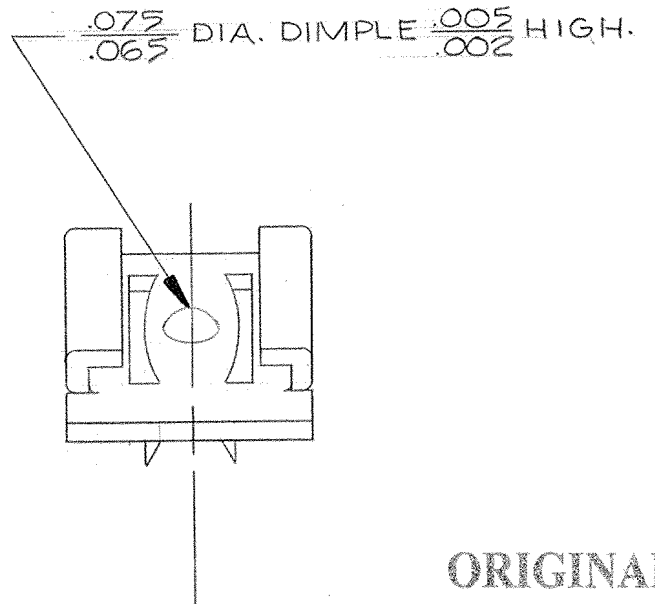
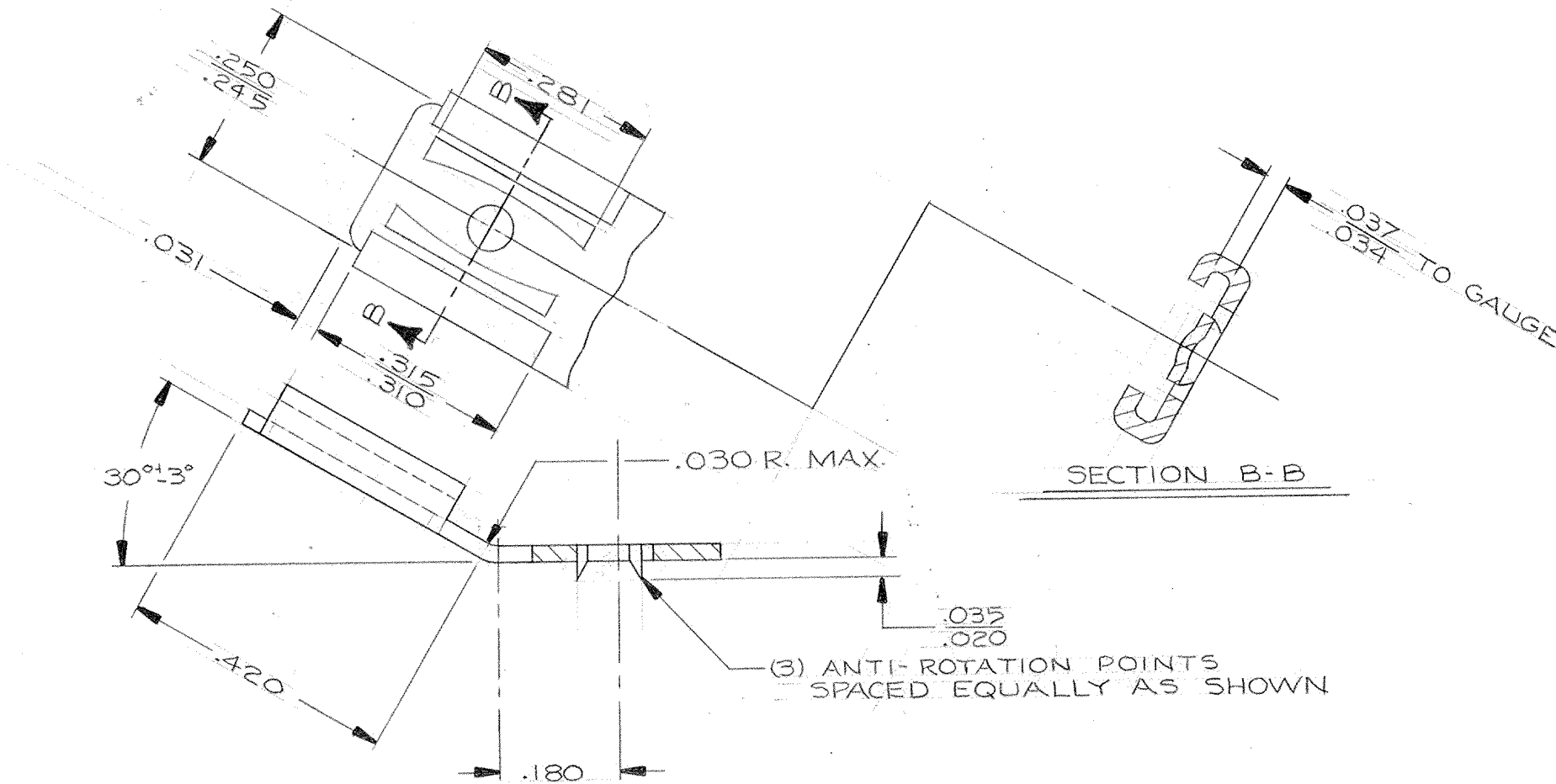
(A)

NOTE:

1) REFERENCE 3000H43C & 3000H43D-1 TOOLING.



ARK-LES
UNCONTROLLED



(3) ANTI-ROTATION POINTS SPACED EQUALLY AS SHOWN

ORIGINAL IF RED

				F.M.F.		TOLERANCES UNLESS OTHERWISE SPECIFIED:	
				DECIMALS ±.010			ANGLES ±1'
				RELEASED FOR PRODUCTION	BMM-707	12-2-75	KS
				RELEASED FOR QUOTATION			
				NEW DRAWING SUPERSEDES			DO NOT SCALE DRAWING
A	ADDED P/N 3000H74LP & MATERIAL TABLE	12-23-87	PJP	DRAWN BY MKS	MATERIAL	SEE TABLE	
A	ECR 6615			CHECKED BY			
	REVISIONS	DATE	APP.	APPROVED BY Bishop	FINISH	SEE TABLE	
DATE OF DRAWING 12-2-75				SCALE 4 TO 1		DATE OF PRINT	