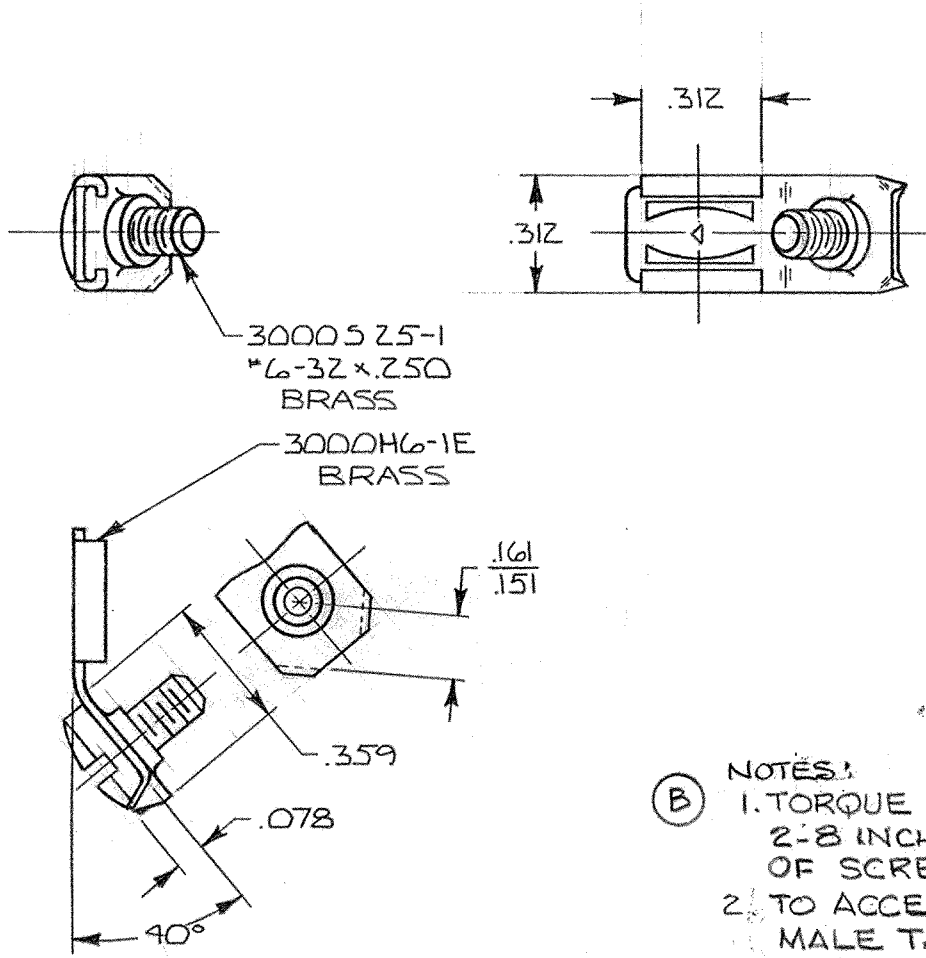


DEPT	
1	1
2	
3	
4	1
5	
6	
7	
8	
9	
10	
11	
12	6
ME.	

PART NAME: TERMINAL-ASSEMBLY

PART NO: 3000H6-1G1



- NOTES:
- (B) 1. TORQUE REQUIREMENT OF 2-8 INCH POUNDS ON SETTING OF SCREW.
 - 2. TO ACCEPT A .250 x .032 MALE TAB.

ARK-LES
UNCONTROLLED

ORIGINAL IF RED

				PROD. REL.	DH2017	8-28-86	RT.	TOLERANCES UNLESS OTHERWISE SPECIFIED :
				QUOTE REL				DECIMALS ± .010 METRIC ± 0.25 mm ANGLES ± 1°
				DR.:	A.PAPIA	8-22-86		MATERIAL:
				CHK'D.:	R.W.T.			<i>H</i>
B	NOTES 1 & 2 ADDED ECR 7829	2-5-90	RT.	APP.:	R.W.T.	8-28-86		FINISH:
A	PROD. REL. ECR 5831	8-22-86	AP	SUPERSEDES DWG. DATED:				<i>H</i>
REV.	DESCRIPTION	DATE	DR.	SCALE:	2:1	F.M.F.		PART NO. <u>3000H6-1G1</u>