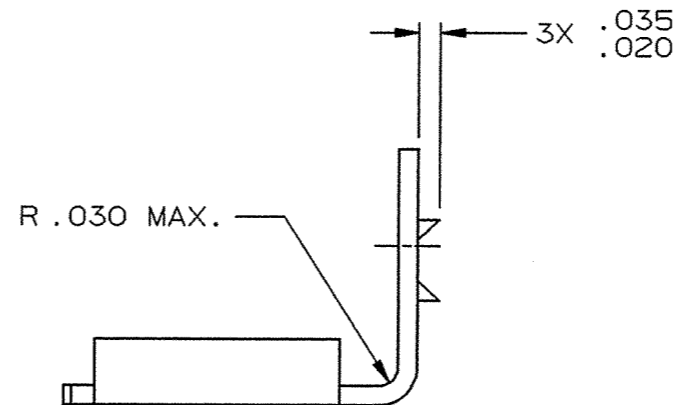
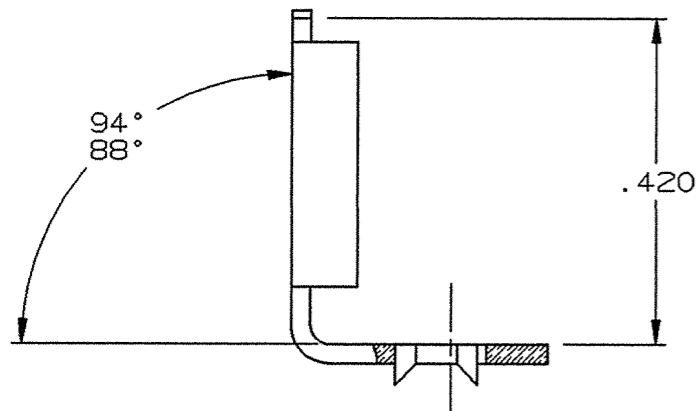
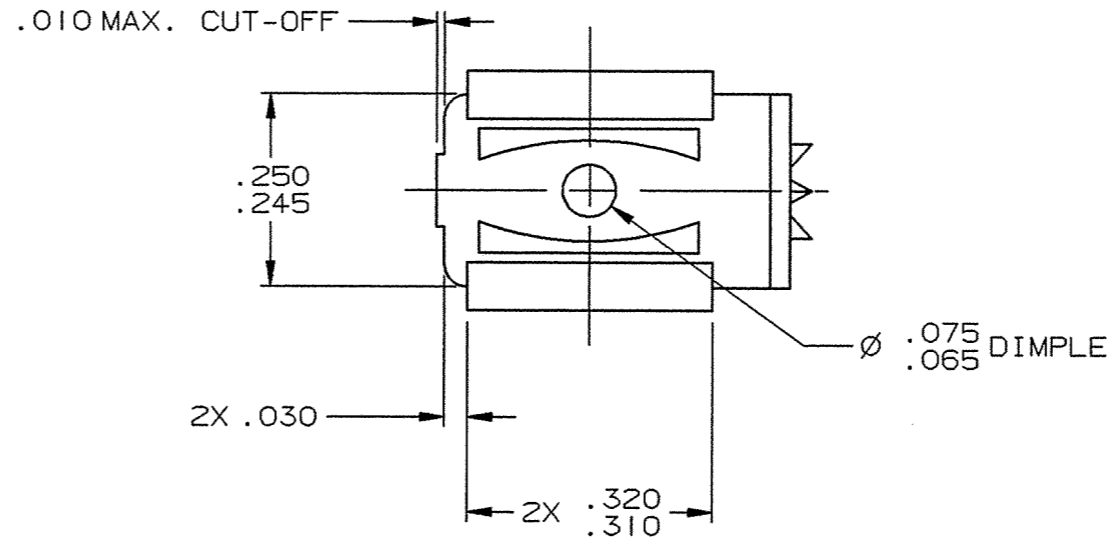
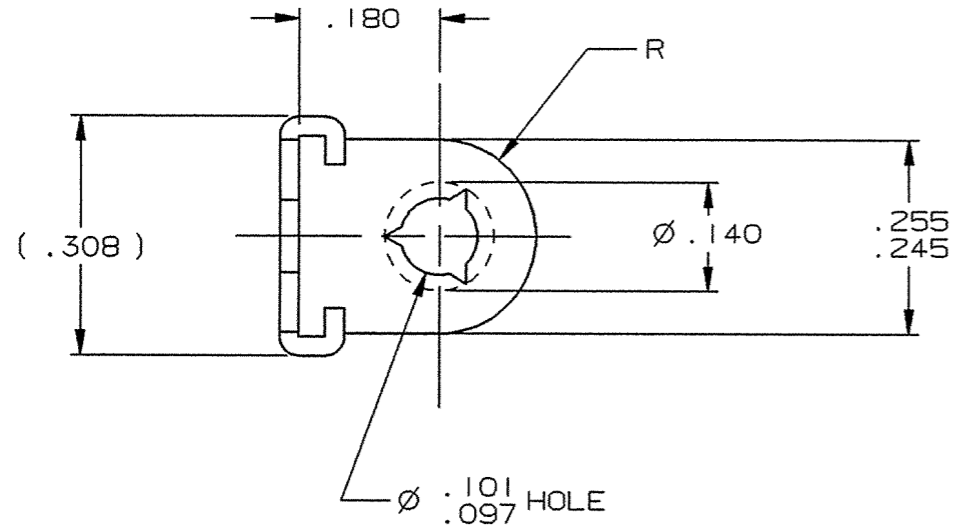


DEPT	
1	1
2	
3	
4	2
5	
6	
7	
8	
9	
10	
11	
12	
NC	
JZ	

PART NAME: FEMALE TERMINAL

PART NO: 3000H 43C

NOTES:  
 (D) 1. TO ACCEPT STANDARD .250 X .032 MALE TAB.



**ARK-LES**  
**UNCONTROLLED**

			PROD. REL.	14319	3/2/66	RJR	TOLERANCES UNLESS OTHERWISE SPECIFIED:
			QUOTE REL.				DECIMALS ±.010 METRIC ±0.25mm ANGLES ±1°
			DR:	R. TASTULA	12/30/02		MATERIAL: .025 THICK BRASS
			CHK'D:	R.W.T.	1-3-03		
			APP:	KJA	1-14-03		FINISH:
D	REVISED & REDRAWN PER ECR #12447	12/30/02	RT	SUPERCEDES DWG. DATED:	8/25/78		PART NO: 3000H 43C
REV.	DESCRIPTION	DATE	DR.	SCALE: 4:1	CAD NO: BT00125		

ORIGINAL IF RED