

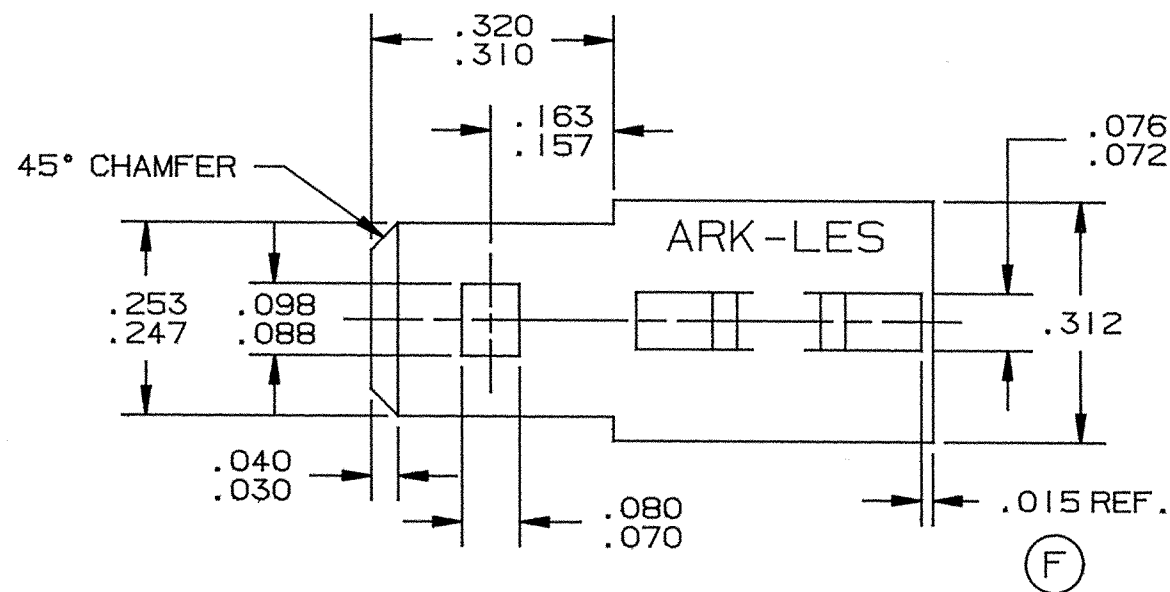
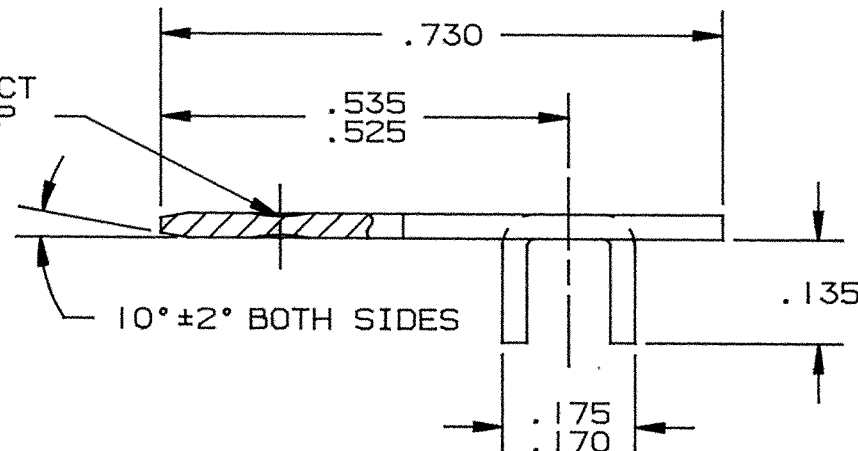
DEPT	
1	1
2	
3	
4	1
5	
6	
7	
8	
9	
10	
11	
12	6
NC	
JZ	

PART NAME: TERMINAL, MALE, STAKE-ON

PART NO: 3000M728/

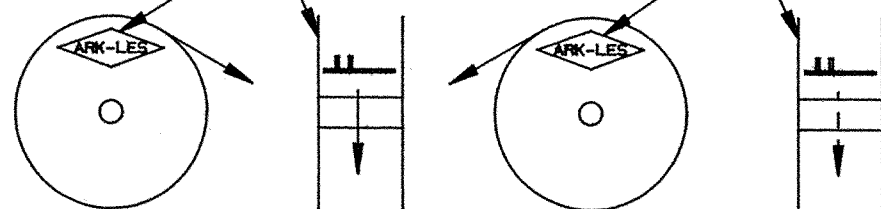
PART NUMBER	MAX. BOARD THICKNESS	MATERIAL	FINISH
3000M728A	.093	.032 ±.001 THK. BRASS C26000, 1/2 HARD R30T 56.5-68.0 PRETINNED PCS1007	SEE MAT'L
3000M728AB	.093	.032 ±.001 THK. BRASS C26000, 1/2 HARD R30T 56.5-68.0	NONE

THIS MUST BE A PERFECT RADIUS .003/.005 DEEP BOTH SIDES



ARK-LES LETTERING THIS SIDE

ARK-LES LETTERING THIS SIDE



STANDARD REELING  
(I.E. 3000M728A)

REVERSE REELING  
(I.E. 3000M728AR)

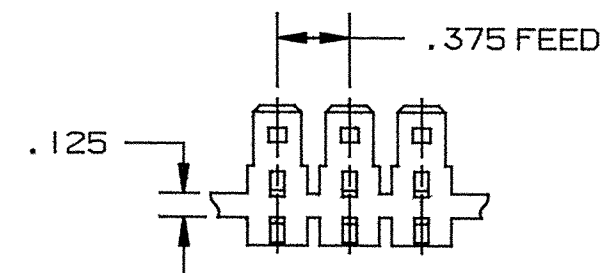
REELING DIAGRAMS

(F)

ARK-LES UNCONTROLLED

NOTES:

1. REFERENCE 3000M726/ TOOLS.
2. FOR REVERSE REELING ADD SUFFIX "R" TO PART NUMBER. (I.E. 3000M728AR)
3. ARK-LES TO BE DIE STAMPED AS SHOWN.
4. FOR TERMINALS LOOSE PIECE ADD SUFFIX "-1" TO PART NUMBER. (I.E. 3000M728A-1)
5. ALL PORTIONS OF THE TAB SHOWN SHALL BE FLAT AND FREE FROM BURRS OR RAISED PLATEAUS, EXCEPT THAT THERE MAY BE IN AN AREA .050 INCH SURROUNDING THE DETENT, A RAISED PLATEAU OVER THE STOCK THICKNESS OF .001 INCH PER SIDE.
6. THE DETENT SHALL BE LOCATED WITHIN .005 INCH OF THE CENTERLINE OF THE TAB.



FABRICATED TERMINAL STRIP

SCALE: FULL

			PROD. REL.	RMO158	4-20-77	P.B.	TOLERANCES UNLESS OTHERWISE SPECIFIED:
			QUOTE REL.				DECIMALS ±.010 METRIC ±0.25mm ANGLES ±1°
			DR:	M. BUMILA	11-17-92		MATERIAL: SEE TABLE
			CHK'D:	R.W.T.	11-17-92		FINISH: SEE TABLE
			APP:	Bisler	11-18-92		PART NO: 3000M728/
F	REVISED PER ECR #9356	11-17-92	M.B.	SUPERCEDES DWG. DATED:	4-20-77		
REV.	DESCRIPTION	DATE	DR.	SCALE: 4X	CAD NO: BTP0008		

ORIGINAL