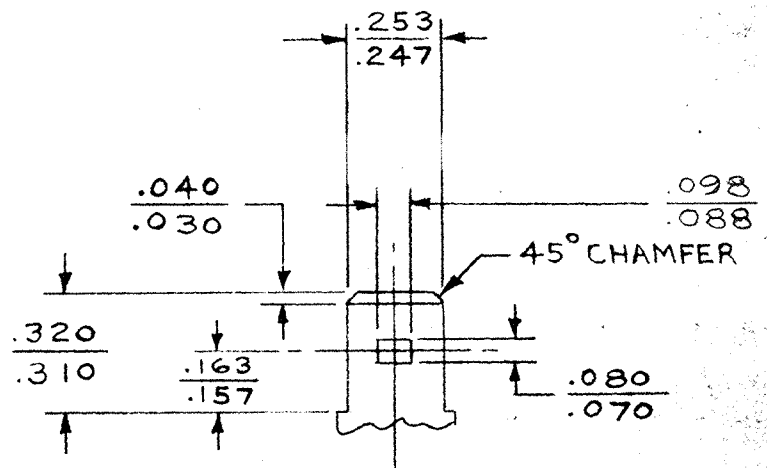
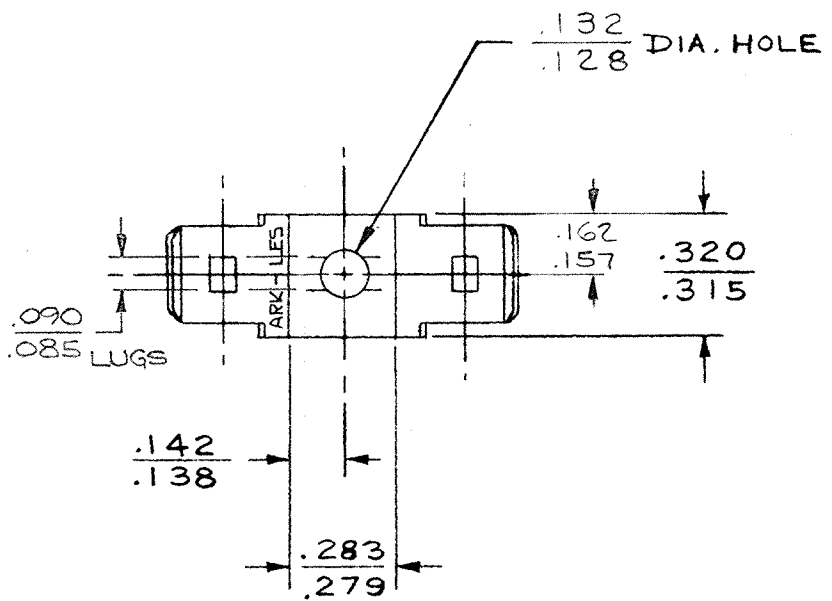


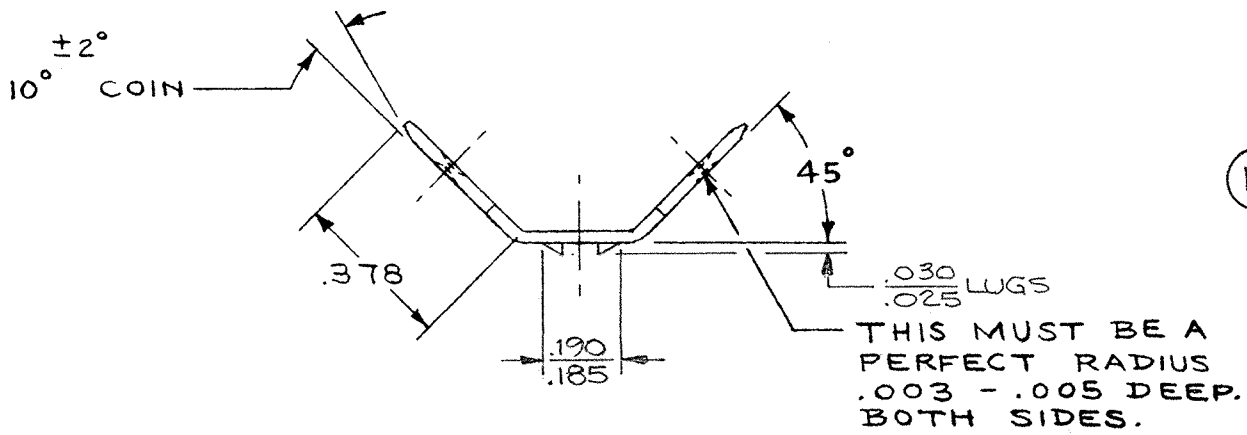
|       |   |
|-------|---|
| DEPT. |   |
| 1     |   |
| 2     |   |
| 3     |   |
| 4     | 1 |
| 5     |   |
| 6     |   |
| 7     |   |
| 8     |   |
| 9     |   |
| 10    |   |
| 11    |   |
| 12    | 6 |

TERMINAL - MALE

301 11 227



DETAIL OF MALE END



NOTE:  
 1. SAME AS 3000C27-1A3 EXCEPT 45°  
 (B) 2. ARK-LES TO BE DIE STAMPED

**ARK-LES UNCONTROLLED ORIGINAL IF RED**

|   |                                    |         |      |                         |          |                              |      |  |            |
|---|------------------------------------|---------|------|-------------------------|----------|------------------------------|------|--|------------|
|   |                                    |         |      | RELEASED FOR PRODUCTION | 92188    | 7-11-73                      | R.T. | TOLERANCES UNLESS OTHERWISE SPECIFIED: |            |
|   |                                    |         |      | RELEASED FOR QUOTATION  |          |                              |      | DECIMALS ±.010                         | ANGLES ±1° |
|   |                                    |         |      | NEW DRAWING SUPERSEDES  |          |                              |      | DO NOT SCALE DRAWING                   |            |
| B | ADDED ARK-LES NOTE# 2 PER ECR 5760 | 9-18-86 | PJP  | DRAWN BY R.TASTULA      | MATERIAL | H.H. BRASS .031 - .033 THICK |      |  |            |
| A | NO. WAS 301 11 227 PER ECR 311     | 12-3-74 | R.T. | CHECKED BY CAB          |          |                              |      |  |            |
|   | REVISIONS                          | DATE    | APP. | APPROVED BY CAB 7/11/73 | FINISH   | BRIGHT DIP                   |      |  |            |