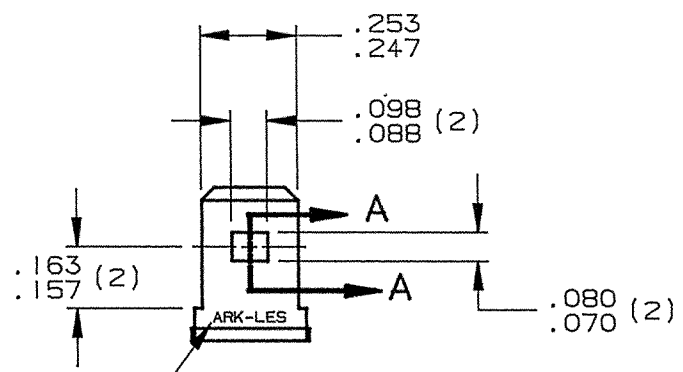
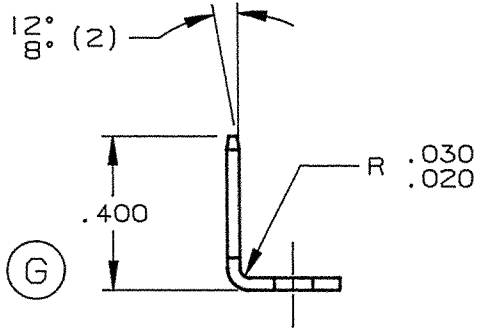
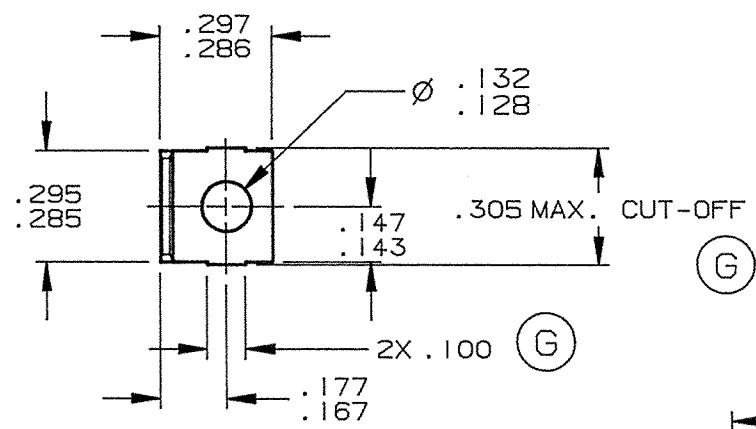


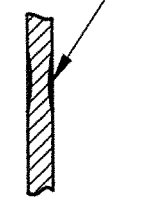
DEPT	
1	
2	
3	
4	5
5	
6	
7	
8	
9	
10	
11	
12	8
NC	
JZ	3

PART NAME: MALE TERMINAL

PART NO: **3000M641-1**



THIS MUST BE A PERFECT RADIUS .005/.003 DEEP BOTH SIDES



SECTION A-A

SCALE 4=1

**ARK-LES
UNCONTROLLED**

"ARK-LES" TO BE DIE STAMPED APPROXIMATELY AS SHOWN

NOTES

1. TO ACCEPT A .250 X .032 FEMALE RECEPTACLE.
2. ALL PORTIONS OF TAB SHOWN SHALL BE FLAT AND FREE OF BURRS OR RAISED PLATEAUS, EXCEPT THAT THERE MAY BE, IN AN AREA .050 SURROUNDING THE DETENT, A RAISED PLATEAU OVER THE STOCK THICKNESS OF .001 PER SIDE.
3. DETENT SHALL BE LOCATED WITHIN .005 OF THE TAB CENTERLINE

				PROD. REL.	PC 1016	8/17/78	TL	TOLERANCES UNLESS OTHERWISE SPECIFIED:		
				QUOTE REL.	SG11779			DECIMALS ±.010	METRIC ±0.25mm	ANGLES ±1°
				DR:	R. TASTULA	12/4/97		MATERIAL: .032±.001 THICK BRASS C26000, 1/2 HARD TENSILE: 57,000-67,000 PSI		
				CHK'D:	R.W.T.	12-5-97		FINISH: NONE		
G	REVISED & REDRAWN, REV G WAS C	12/4/97	RT	APP:	COR	12-5-97		PART NO: 3000M641-1		
	PER ECR •11406			SUPERCEDES DWG. DATED:		4/20/95				
REV.	DESCRIPTION	DATE	DR.	SCALE: 2=1	CAD NO: ATPO021					

ORIGINAL