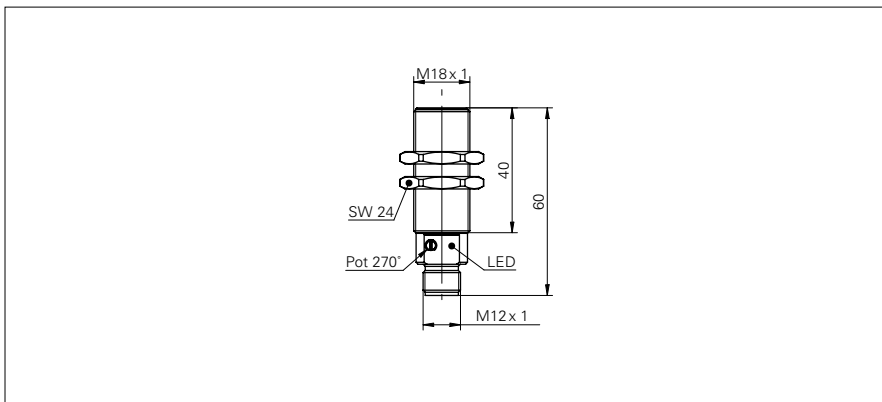


Fiber optic sensors & cables

FZAM 18N1150/S14

dimension drawing



general data

| | |
|-------------------------------------|-----------------------|
| actual range S_b | 800 mm |
| sensing distance T_w | 150 mm |
| light source | pulsed infrared diode |
| light indicator | LED yellow |
| alignment / soiled lens indicator | LED, flashing |
| adjustment | potentiometer, 270° |
| wave length | 880 nm |
| suppression of reciprocal influence | yes |

electrical data

| | |
|------------------------------------|---------------|
| response time / release time | < 1 ms |
| voltage supply range +Vs | 10 ... 30 VDC |
| current consumption max. (no load) | 45 mA |
| current consumption typ. | 30 mA |
| voltage drop V_d | < 1,8 VDC |
| output function | light operate |
| output circuit | NPN |
| output current | < 200 mA |
| short circuit protection | yes |
| reverse polarity protection | yes |

mechanical data

| | |
|------------------|--------------------------|
| width / diameter | 18 mm |
| height / length | 60 mm |
| type | cylindrical threaded |
| housing material | brass nickel plated / PC |
| connection types | connector M12 4 pin |

ambient conditions

| | |
|-----------------------|----------------|
| operating temperature | -25 ... +55 °C |
| protection class | IP 67 |

photo



connection diagram

