

AHP / ADHP

Board Mount Power Transformers



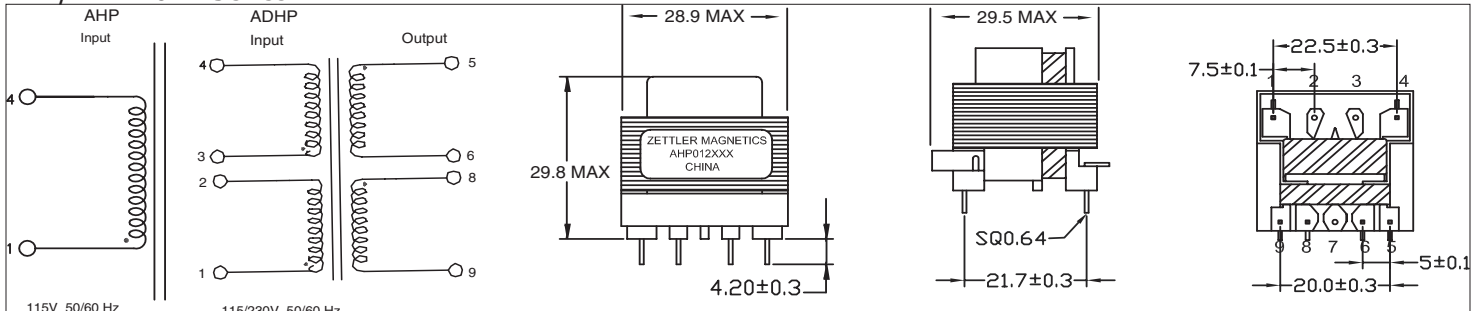
- Single or Dual Primary (115/230V)
- Designed to meet International Safety Requirements
- Inherently Limited Versions available
- UL94V-0 Rated materials
- 4500 Vrms Isolation Strength (pri:Sec)
- Designed for EN60950, UL1477 and UL 1585
- Class A & B Insulation

Electrical Data

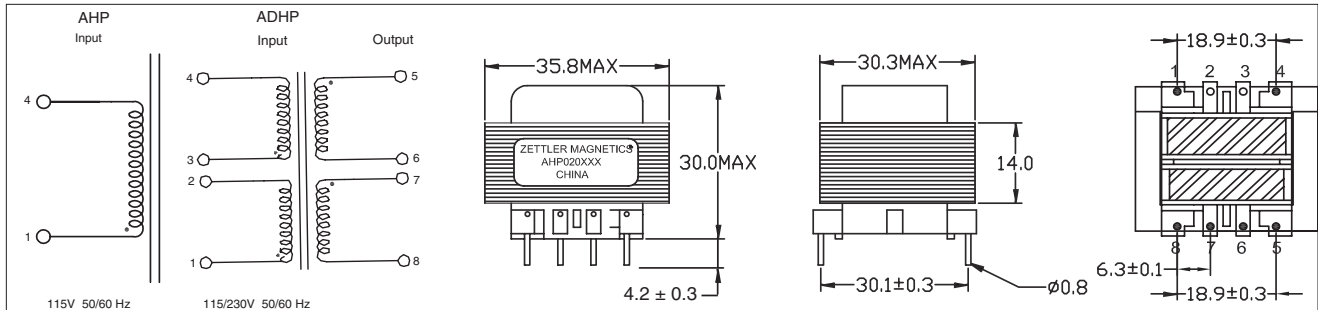
Part No Single Pri. 115V	Part No Dual Pri. 115/230V	Output (VA)	Secondary Output (Vrms)					
			Series		Parallel		Dual Output	
			VCT	Amps	Vrms	Amps	Vrms-Vrms	Amps
AHP012050	ADHP012050	1.2	10.0	@ 0.120	5.0	@ 0.240	5-5	@ 0.120
AHP020050	ADHP020050	2.0	10.0	@ 0.200	5.0	@ 0.400	5-5	@ 0.200
AHP030050	ADHP030050	3.0	10.0	@ 0.300	5.0	@ 0.600	5-5	@ 0.300
AHP060050	ADHP060050	6.0	10.0	@ 0.600	5.0	@ 1.200	5-5	@ 0.600
AHP105050	ADHP105050	10.5	10.0	@ 1.050	5.0	@ 2.100	5-5	@ 1.050
AHP145050	ADHP145050	14.5	10.0	@ 1.450	5.0	@ 2.900	5-5	@ 1.450
AHP012063	ADHP012063	1.2	12.6	@ 0.095	6.3	@ 0.190	6.3-6.3	@ 0.095
AHP020063	ADHP020063	2.0	12.6	@ 0.158	6.3	@ 0.315	6.3-6.3	@ 0.158
AHP030063	ADHP030063	3.0	12.6	@ 0.238	6.3	@ 0.476	6.3-6.3	@ 0.238
AHP060063	ADHP060063	6.0	12.6	@ 0.476	6.3	@ 0.952	6.3-6.3	@ 0.476
AHP105063	ADHP105063	10.5	12.6	@ 0.834	6.3	@ 1.667	6.3-6.3	@ 0.834
AHP145063	ADHP145063	14.5	12.6	@ 1.151	6.3	@ 2.302	6.3-6.3	@ 1.151
AHP012080	ADHP012080	1.2	16.0	@ 0.075	8.0	@ 0.150	8-8	@ 0.075
AHP020080	ADHP020080	2.0	16.0	@ 0.125	8.0	@ 0.250	8-8	@ 0.125
AHP030080	ADHP030080	3.0	16.0	@ 0.188	8.0	@ 0.375	8-8	@ 0.188
AHP060080	ADHP060080	6.0	16.0	@ 0.375	8.0	@ 0.750	8-8	@ 0.375
AHP105080	ADHP105080	10.5	16.0	@ 0.657	8.0	@ 1.313	8-8	@ 0.657
AHP145080	ADHP145080	14.5	16.0	@ 0.907	8.0	@ 1.813	8-8	@ 0.907
AHP012100	ADHP012100	1.2	20.0	@ 0.060	10.0	@ 0.120	10-10	@ 0.060
AHP020100	ADHP020100	2.0	20.0	@ 0.100	10.0	@ 0.200	10-10	@ 0.100
AHP030100	ADHP030100	3.0	20.0	@ 0.150	10.0	@ 0.300	10-10	@ 0.150
AHP060100	ADHP060100	6.0	20.0	@ 0.300	10.0	@ 0.600	10-10	@ 0.300
AHP105100	ADHP105100	10.5	20.0	@ 0.525	10.0	@ 1.050	10-10	@ 0.525
AHP145100	ADHP145100	14.5	20.0	@ 0.725	10.0	@ 1.450	10-10	@ 0.725
AHP012120	ADHP012120	1.2	24.0	@ 0.050	12.0	@ 0.100	12-12	@ 0.050
AHP020120	ADHP020120	2.0	24.0	@ 0.083	12.0	@ 0.165	12-12	@ 0.083
AHP030120	ADHP030120	3.0	24.0	@ 0.125	12.0	@ 0.250	12-12	@ 0.125
AHP060120	ADHP060120	6.0	24.0	@ 0.250	12.0	@ 0.500	12-12	@ 0.250
AHP105120	ADHP105120	10.5	24.0	@ 0.438	12.0	@ 0.875	12-12	@ 0.438
AHP145120	ADHP145120	14.5	24.0	@ 0.604	12.0	@ 1.208	12-12	@ 0.604
AHP020140	ADHP020140	2.0	36.0	@ 0.083	14.0	@ 0.165	14-14	@ 0.083
AHP030140	ADHP030140	3.0	28.0	@ 0.107	14.0	@ 0.214	14-14	@ 0.107
AHP060140	ADHP060140	6.0	28.0	@ 0.215	14.0	@ 0.429	14-14	@ 0.215
AHP105140	ADHP105140	10.5	28.0	@ 0.375	14.0	@ 0.750	14-14	@ 0.375
AHP145140	ADHP145140	14.5	28.0	@ 0.518	14.0	@ 1.036	14-14	@ 0.518
AHP020180	ADHP020180	2.0	36.0	@ 0.055	18.0	@ 0.110	18-18	@ 0.055
AHP030180	ADHP030180	3.0	36.0	@ 0.084	18.0	@ 0.167	18-18	@ 0.084
AHP060180	ADHP060180	6.0	36.0	@ 0.167	18.0	@ 0.333	18-18	@ 0.167
AHP105180	ADHP105180	10.5	36.0	@ 0.292	18.0	@ 0.583	18-18	@ 0.292
AHP145180	ADHP145180	14.5	36.0	@ 0.403	18.0	@ 0.806	18-18	@ 0.403
AHP020240	ADHP020240	2.0	48.0	@ 0.041	24.0	@ 0.082	24-24	@ 0.041
AHP030240	ADHP030240	3.0	48.0	@ 0.063	24.0	@ 0.125	24-24	@ 0.063
AHP060240	ADHP060240	6.0	48.0	@ 0.125	24.0	@ 0.250	24-24	@ 0.125
AHP105240	ADHP105240	10.5	48.0	@ 0.219	24.0	@ 0.438	24-24	@ 0.219
AHP145240	ADHP145240	14.5	48.0	@ 0.302	24.0	@ 0.604	24-24	@ 0.302

Schematic & Mechanical data

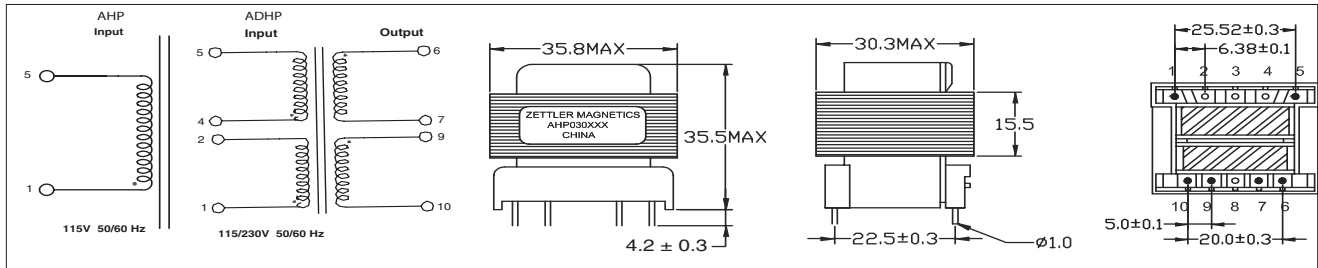
AHP/ADHP 012 Series



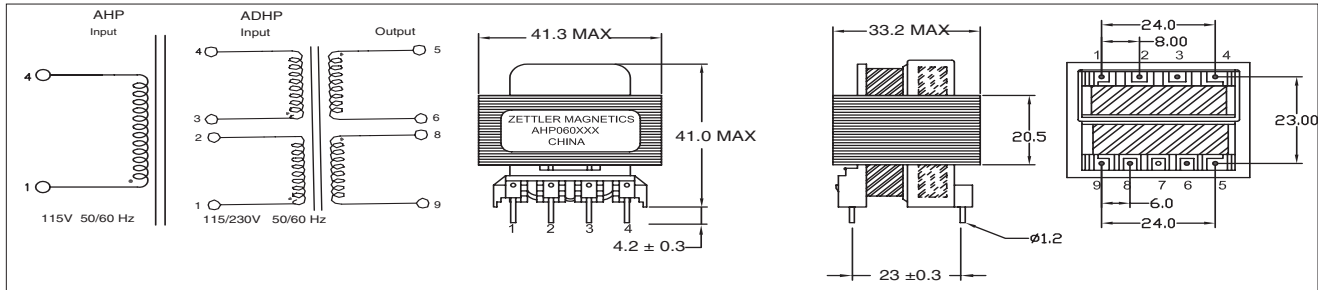
AHP/ADHP 020 Series



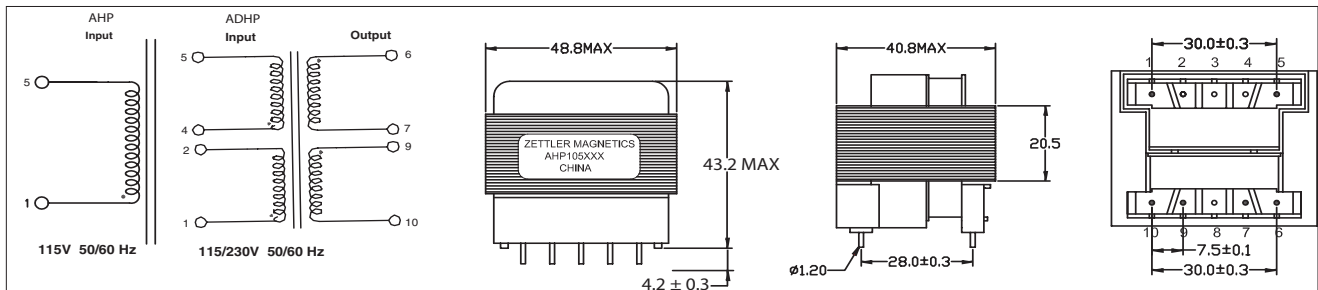
AHP/ADHP 030 Series



AHP/ADHP 060 Series



AHP/ADHP 105 Series



AHP/ADHP 145 Series

