



HLM358P / HLM358S

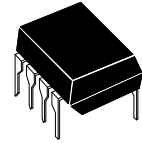
Low Power Dual Operational Amplifiers

Description

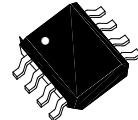
These devices consist of two independent, high gain, internally frequency-compensated operational amplifiers designed operate from a single supply over a wide range of voltages. Operation from split supplies also is possible if the difference between the two supplies is 3V to 40V, and V_{CC} is at least 1.5V more positive than the input common-mode voltage, The low supply-current drain is independent of the magnitude of the power supply voltage.

Features

- Two internally compensated OP amps
- Internally frequency compensated for unity gain
- Short Circuit Protected Outputs
- Wide power supply range: $3V_{DC}$ to $40V_{DC}$ (Single supply)
- Input common-mode voltage range includes ground
- Large output voltage swing: $0V_{DC}$ to $V_{CC}-1.5V_{DC}$

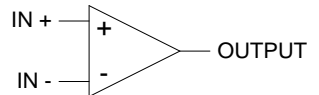


8-Lead Plastic **DIP-8**
 Package Code: P



8-Lead Plastic **SO-8**
 Package Code: S

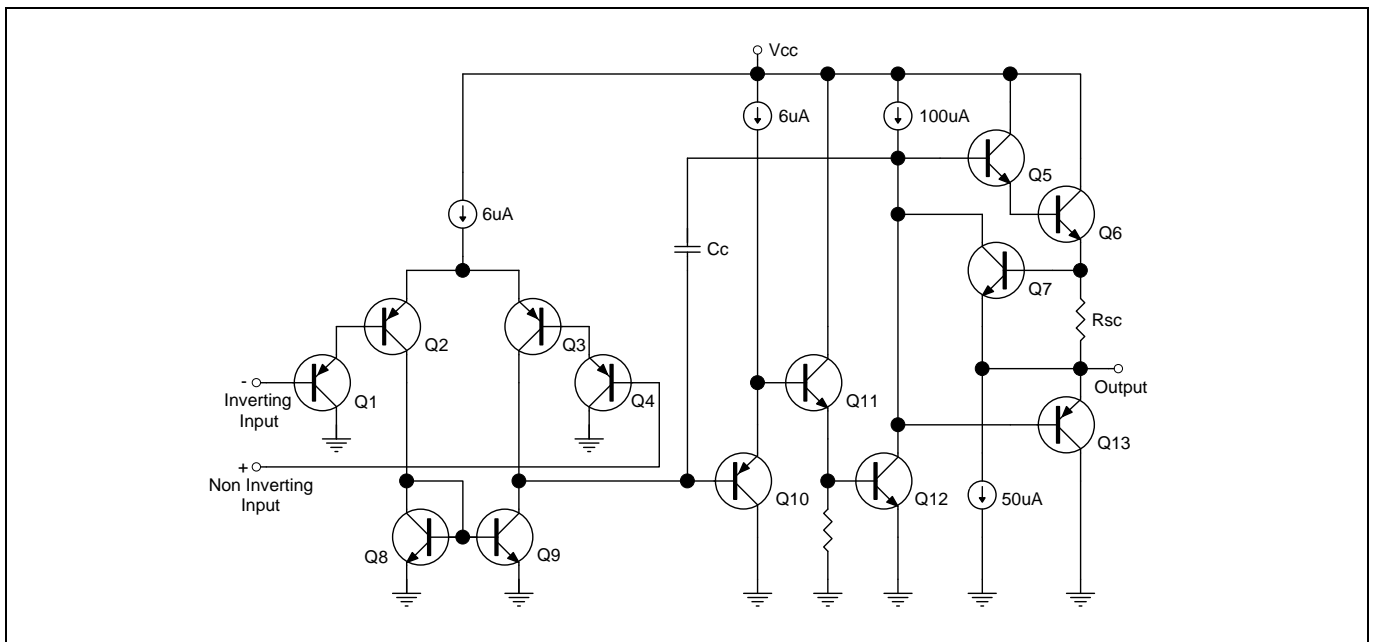
Logic Diagram (each amplifier)



Pin Configurations

	Pin 1: Output 1	Pin 5 : Non Inverting Input 2
	Pin 2: Inverting Input 1	Pin 6 : Inverting Input 2
	Pin 3: Non Inverting Input 1	Pin 7 : Output 2
	Pin 4: V_{EE}	Pin 8 : V_{CC}

Schematic Diagram





Absolute Maximum Ratings (Ta=25°C, unless otherwise specified)

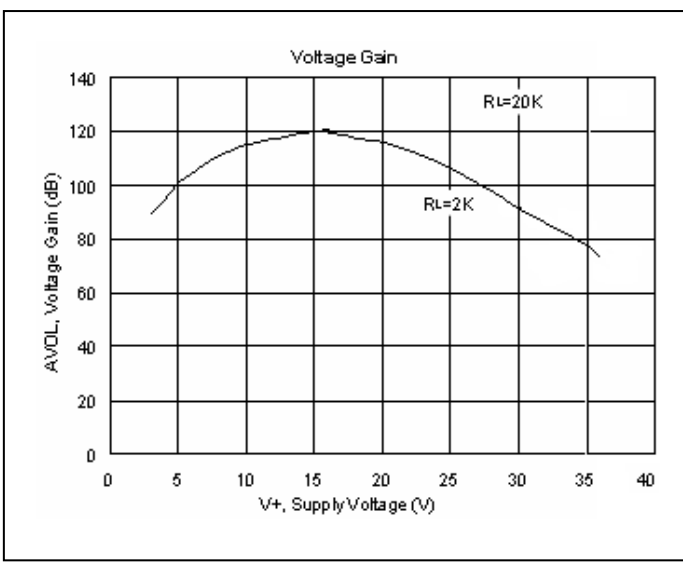
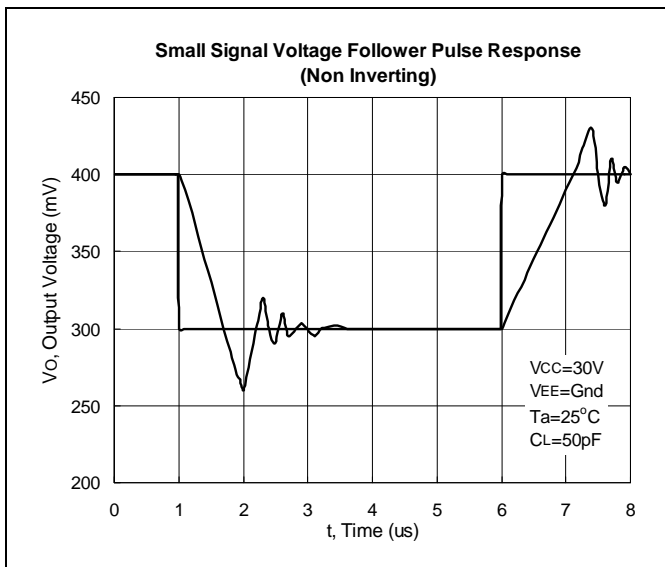
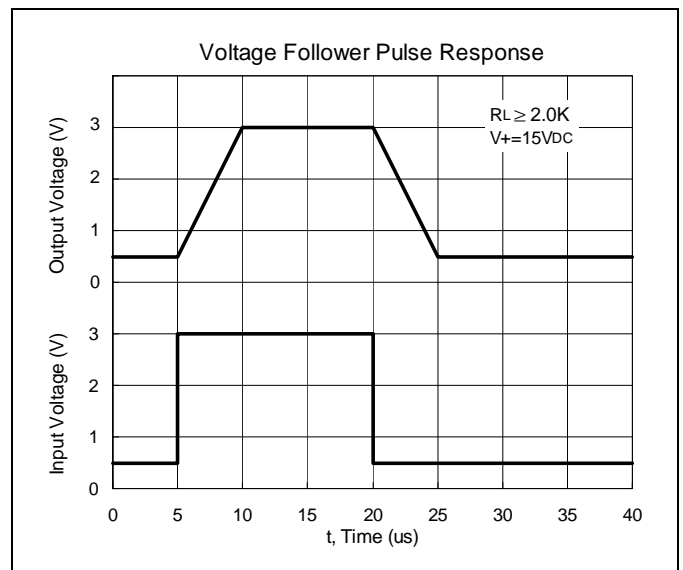
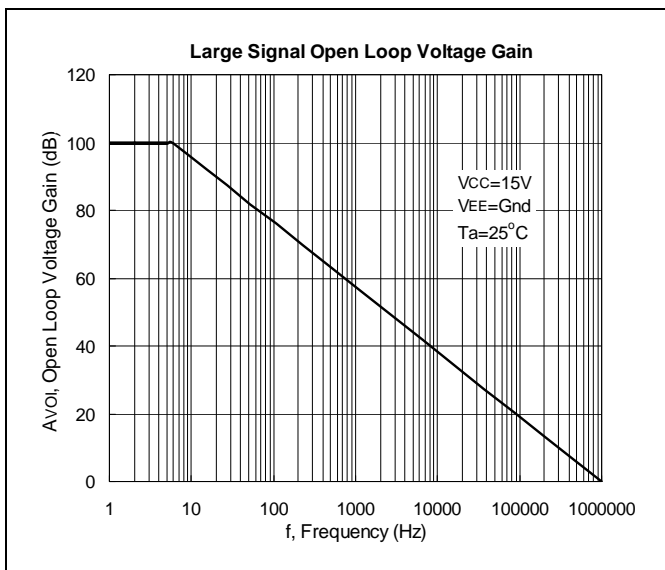
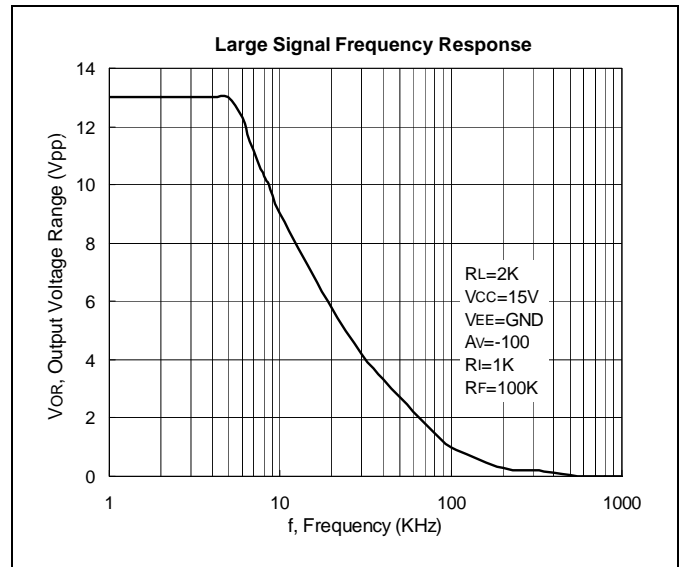
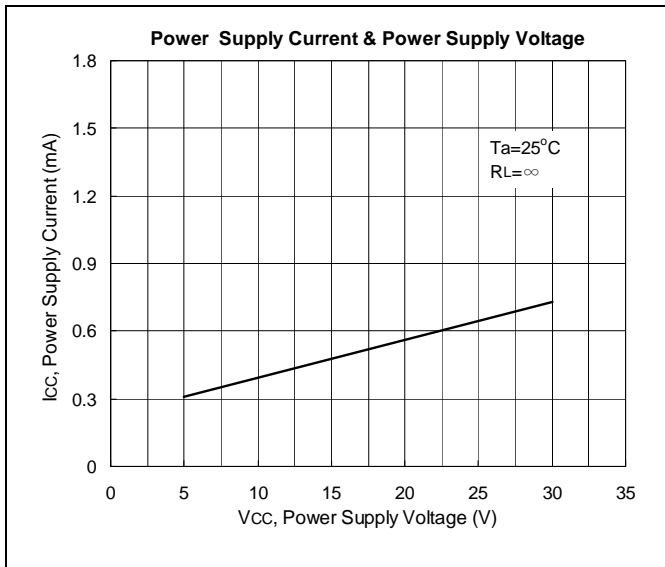
Symbol	Parameter	Range	Units
V _{CC}	Power Supply Voltage (Single Supply)	40	V _{DC}
V _{CC} , V _{EE}	Power Supply Voltage (Split Supplies)	±20	V _{DC}
V _{IDR}	Input Differential Voltage Range	±40	V _{DC}
V _{ICR}	Input Common Mode Voltage Range	-0.3 to +40	V _{DC}
t _{SC}	Output Short Circuit Duration	Continuous	
T _J	Junction Temperature	150	°C
T _{stg}	Storage Temperature Range	-55 to +125	°C
T _A	Operating Ambient Temperature Range	-40 to +70	°C
P _D	Maximum Power Dissipation (DIP-8)	800	mW
	Maximum Power Dissipation (SO-8)	500	

Electrical Characteristics (V_{CC}=5V, V_{EE}=Ground, Ta=25°C, unless otherwise specified)

Symbol	Parameter	Test Conditions	HLM358P/S			Unit
			Min	Typ	Max	
V _{IO}	Input Offset Voltage	V _{CC} =5V~40V, V _{ICR} =0V~V _{CC} -1.5V, V _O =1.4V, R _S =0Ω	-	2	7	mV
I _{IO}	Input Offset Current	I _{IN(+)} -I _{IN(-)}	-	-	30	nA
I _{IB}	Input Bias Current	I _{IN(+)} or I _{IN(-)}	-	35	200	nA
A _{VOL}	Large Signal Voltage Gain	V _{CC} =15V, R _L =2KΩ	25	100	-	V/mV
CMR	Common-Mode Rejection Ratio	V _{CM} =0V~V _{CC} -1.5V	65	85	-	dB
CS	Channel Separation	1KHz≤f≤20KHz	-	-120	-	dB
PSR	Power Supply Rejection	V _{CC} =5V~40V	65	100	-	dB
ΔV _{IO} /ΔT	Average Temperature Coefficient of Input Offset Voltage	R _S =0Ω	-	7	-	uV/°C
ΔI _{IO} /ΔT	Average Temperature Coefficient of Input Offset Current	R _S =0Ω	-	10	-	pA/°C
V _{ICR}	Input Common Mode Voltage Range	V _{CC} =40V			V _{CC} -2V	V
V _{OH}	Output Voltage (High Limit)	V _{CC} =40V, R _L =2KΩ	26	27	-	V
		V _{CC} =40V, R _L =10KΩ	27	28	-	
V _{OL}	Output Voltage (Low Limit)	R _L =10KΩ	-	5	20	mV
I _{CC}	Supply current	R _L =∞, V _{CC} =40V	-	1	2	mA
I _{Source}	Output Source Current	V _{CC} =15V, V _{IN+} =1V, V _{IN-} =0V, V _O =2V	20	40	-	mA
I _{Sink}	Output Sink Current	V _{CC} =15V, V _{IN+} =0V, V _{IN-} =1V, V _O =2V	10	20	-	mA
I _{CC}	Power Supply Current	V _{CC} =40V, Ta=T _{high} to T _{low}	-	1	2	mA
		V _{CC} =5V, Ta=T _{high} to T _{low}	-	0.6	1.2	mA
I _{SC}	Output Short Circuit to Ground	V _{CC} =5V, GND at -5V, V _O =0V	-	40	60	mA

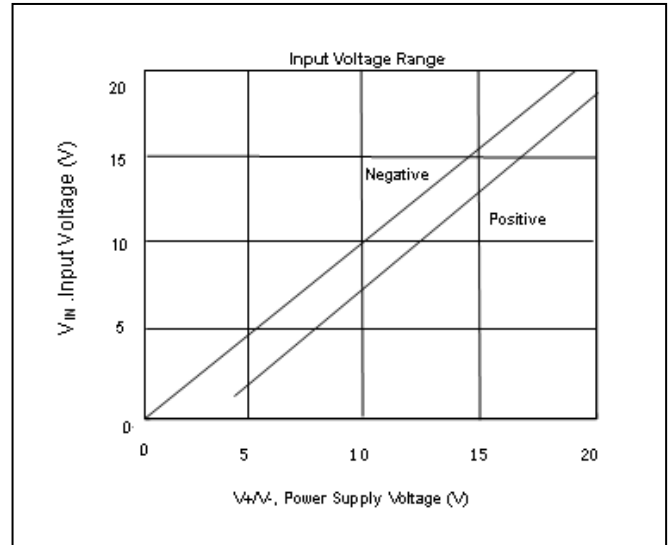
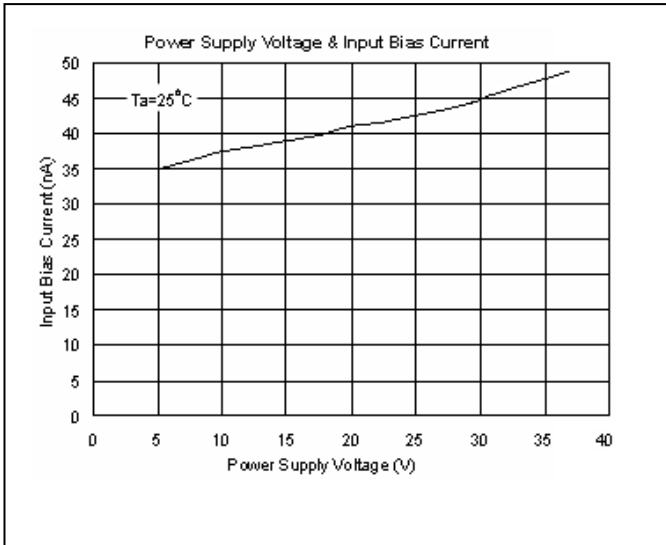


Characteristics Curve

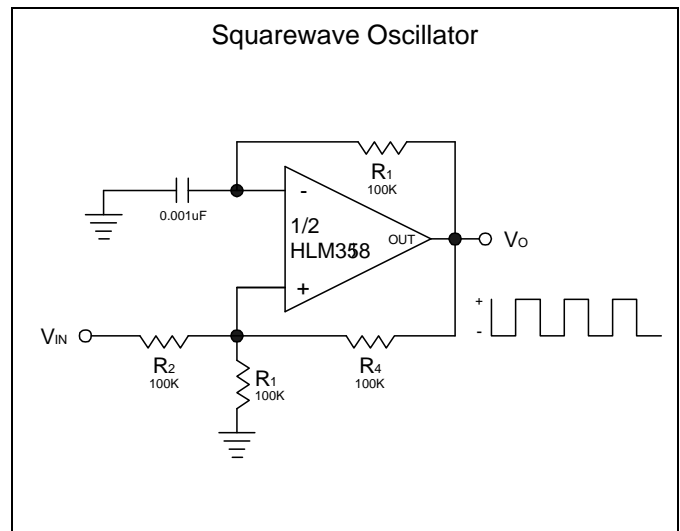
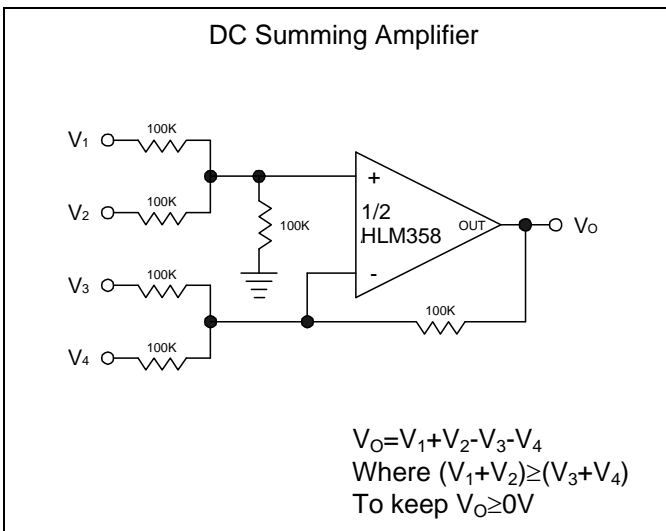
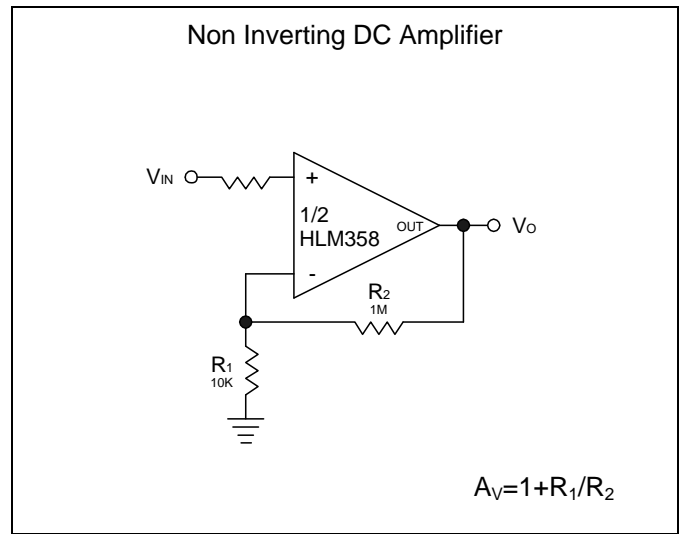
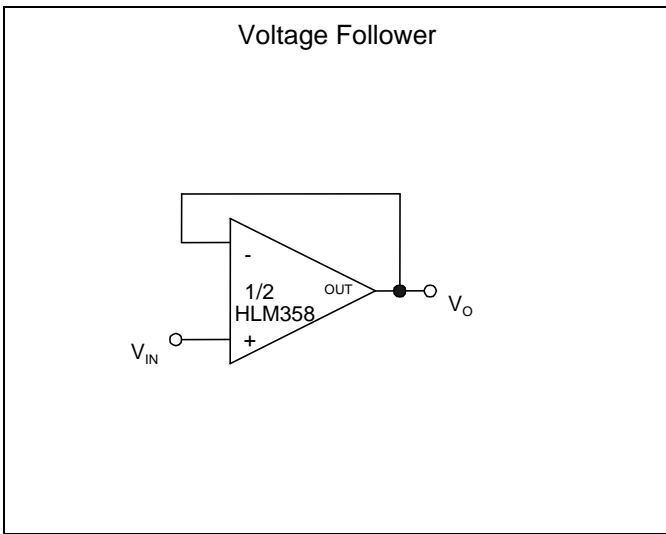




Characteristics Curve



Typical Application Circuit





Typical Application Circuit

