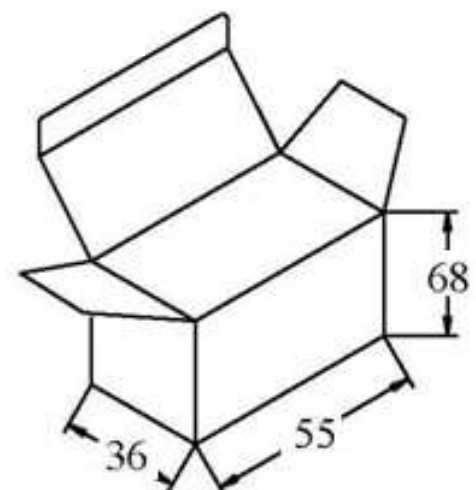


Output Plug and Polarity are Dependent on Customer Requirements

Inner Box Dimensions:



General Specifications

- Input: 120 Vac/ 60Hz
- Output: +19VDC/~200mA Unregulated
- Operating/Storage Temperature: -5°C ~+30°C/ -5°C~+60°C
- Approvals: UL/ CUL/ WEEE/ ROHS/ I V
- Meets Energy Efficiency Level IV Standards
- Protection: Over Voltage/Short Circuit
- Packaged Unit Weight: 0.3 Lbs
- Carton Quantity: 100 pcs

REV	DESCRIPTION	DATE	BY
A			
B			

ITEM NUMBER	D-9V0-0A2-U12	PART TITLE	Energy Efficient 9VDC/0.2A Linear Power Supply
PART NUMBER	D9200CEC		
DATE	11.23.10		
APPROVAL	EB		
UNIT	mm		
REV	∅		



CONDOR ELECTRONICS, INC.
 T: 408-745-7141 F: 408-745-0439
 780 Montague Expy. Ste. 406
 San Jose, CA 95131 USA
sales@condorelectronics.net