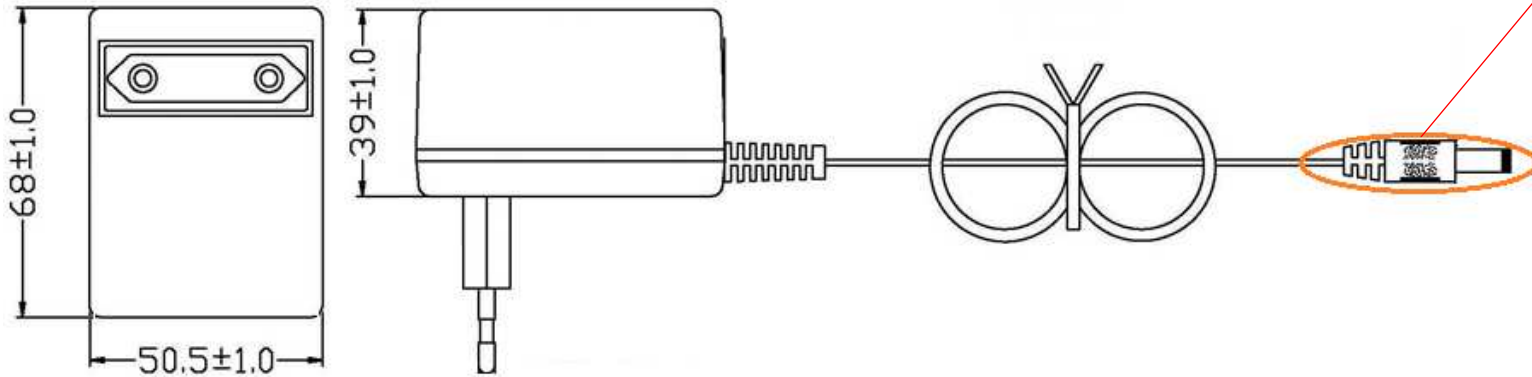
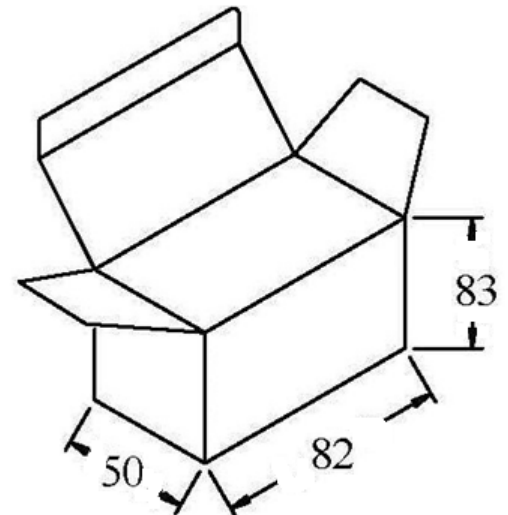




**Output Plug is
Dependent on
Customer
Requirements**



Inner Box Dimensions:



General Specifications

- **Input:** 230 Vac/ 50Hz
- **Output:** +12VDC/~700mA Unregulated
- **Operating/Storage Temperature:** -5°C ~+30°C/ -5°C~+60°C
- **Approvals:** TUV/ CE/ WEEE/ ROHS/ V
- **Meets Energy Efficiency Level V Standards**
- **Protection:** Over Voltage/Short Circuit
- **Packaged Unit Weight:** .78lbs
- **Carton Quantity:** 50 pcs

| | | | |
|-------------|----------------|---|---|
| ITEM NUMBER | A-12V0-0A7-E23 | PART TITLE | Energy Efficient 12VDC/0.7A Linear Power Supply |
| PART NUMBER | WPA-12700-230 |  CONDOR ELECTRONICS, INC. T: 408-745-7141 F: 408-745-0439 780 Montague Expy. Ste. 406 San Jose, CA 95131 USA sales@condorelectronics.net | |
| DATE | 04.04.12 | | |
| APPROVAL | EB | | |
| UNIT | mm | | |
| REV | ∅ | | |

| REV | DESCRIPTION | DATE | BY |
|-----|-------------|------|----|
| A | | | |
| B | | | |