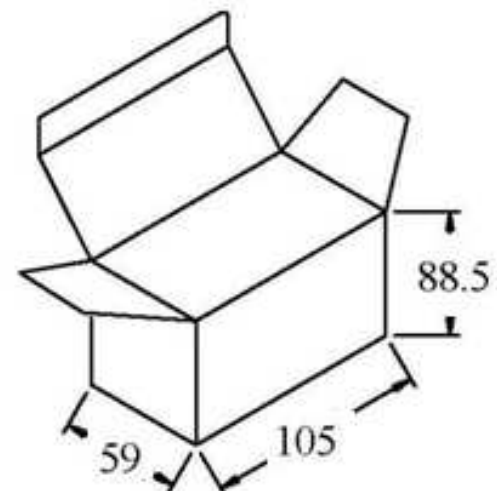



Output Plug is
Dependent on
Customer
Requirements

Inner Box Dimensions:



General Specifications

- Input: 120 Vac/ 60Hz
- Output: +9VAC/~1000mA Unregulated
- Operating/Storage Temperature: 0°C ~+40°C/ -20°C~+70°C
- Approvals: UL/ CUL/ WEEE/ ROHS/ I V
- Meets Energy Efficiency Level IV Standards
- Protection: Over Voltage/Short Circuit
- Packaged Unit Weight: .68 lbs
- Carton Quantity: 50 pcs

ITEM NUMBER	A-9V0-1A0-U12	PART TITLE	Energy Efficient 9VAC/1A Linear Power Supply
PART NUMBER	A9-1A	 CONDOR ELECTRONICS, INC. T: 408-745-7141 F: 408-745-0439 780 Montague Expy. Ste. 406 San Jose, CA 95131 USA sales@condorelectronics.net	
DATE	11.23.10		
APPROVAL	EB		
UNIT	mm		
REV	∅		

REV	DESCRIPTION	DATE	BY
A			
B			