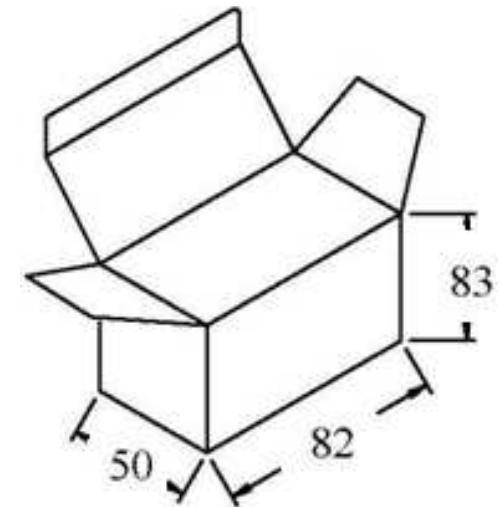


Output Plug is
Dependent on
Customer
Requirements


General Specifications

- Input: 120 Vac/ 60Hz
- Output: +9VAC/~1000mA Unregulated
- Operating/Storage Temperature: -5°C ~+30°C/ -5°C~+60°C
- Approvals: TUV/CE/WEEE/ROHS/V
- Meets Energy Efficiency Level V Standards
- Protection: Over Voltage/Short Circuit
- Packaged Unit Weight: .78 lbs
- Carton Quantity: 50 pcs

Inner Box Dimensions:



REV	DESCRIPTION	DATE	BY
A			
B			

ITEM NUMBER	A-9V0-1A0-E23	PART TITLE	Energy Efficient 9VAC/1A Linear Transformer
PART NUMBER	WPA-091A-230	 CONDOR ELECTRONICS, INC. T: 408-745-7141 F: 408-745-0439 780 Montague Expy. Ste. 406 San Jose, CA 95131 USA sales@condorelectronics.net	
DATE	03.16.2011		
APPROVAL	EB		
UNIT	mm		
REV	∅		