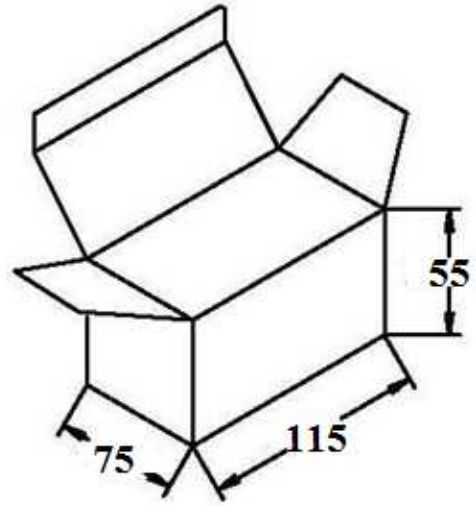


**Output Plug and Polarity are Dependent on Customer Requirements**

**Inner Box Dimensions**



**General Specifications**

- Input: 100~240Vac/ 47~63Hz
- Output: +24VDC/0~2500mA Regulated
- DC Cord: 10FT, 18AWG, Flat with Ferrite
- Operating/Storage Temperature: 0°C ~+40°C/ -20°C~+70°C
- Operating/Storage Humidity: 10%~95%RH/ 10%~95%RH
- Approvals: UL/ CUL/ FCC/ LPS/ PSE/ WEEE/ ROHS/ V
- Meets Energy Efficiency Level V Standards
- Protection: Over Voltage/Short Circuit
- Packaged Unit Weight: 0.65lbs
- Carton Quantity: 60 pcs

REV	DESCRIPTION	DATE	BY
A			
B			

ITEM NUMBER	S-24V0-2A5-U30	PART TITLE	Energy Efficient 24VDC/2.5A Universal Input Power Supply
PART NUMBER	SA-242A5W	 <b>CONDOR ELECTRONICS, INC.</b> T: 408-745-7141 F: 408-745-0439 780 Montague Expy. Ste. 406 San Jose, CA 95131 USA <a href="mailto:sales@condorelectronics.net">sales@condorelectronics.net</a>	
DATE	12.20.2013		
APPROVAL	CB		
UNIT	mm		
REV	∅		