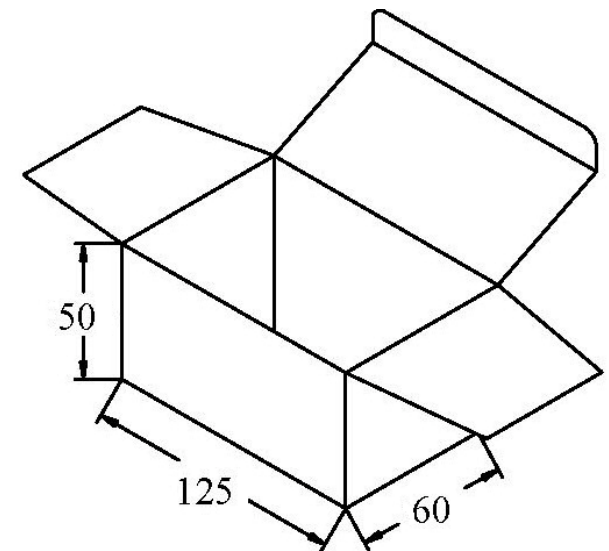



**Output Plug and Polarity are Dependent on Customer Requirements**

**Inner Box Dimensions:**



### General Specifications

- Input: 100~240Vac/ 47~63Hz
- Output: +18VDC/0~280mA Regulated
- DC Cord: 6 FT MIN, 22 AWG
- Operating/Storage Temperature: 0°C ~+40°C/ -20°C~+70°C
- Operating/Storage Humidity: 10%~95%RH/ 10%~95%RH
- Approvals: UL/ CUL/ FCC/ LPS/ PSE/ WEEE/ ROHS/ V
- Meets Energy Efficiency Level V Standards
- Protection: Over Voltage/Short Circuit
- Packaged Unit Weight: 0.16 lbs
- Carton Quantity: 100 pcs
- Build to Order

ITEM NUMBER	S-18V0-0A28-UV30	PART TITLE	Energy Efficient 18VDC/0.28A Universal Input Power Supply
PART NUMBER	SA-180A28V	 <b>CONDOR ELECTRONICS, INC.</b> T: 408-745-7141 F: 408-745-0439 780 Montague Expy. Ste. 406 San Jose, CA 95131 USA <a href="mailto:sales@condorelectronics.net">sales@condorelectronics.net</a>	
DATE	01.02.2014		
APPROVAL	CB		
UNIT	mm		
REV	∅		

REV	DESCRIPTION	DATE	BY
A			
B			