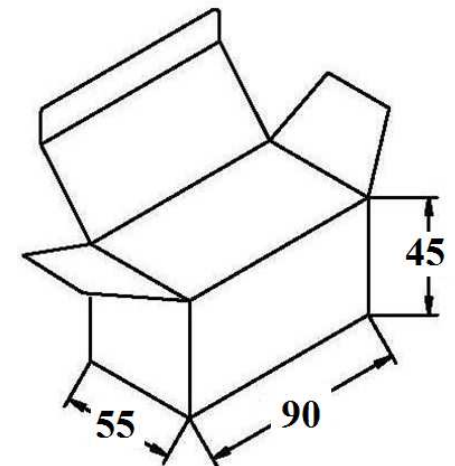


Output Plug is
Dependent on
Customer
Requirements

General Specifications

- Input: 100~240Vac/ 47~63Hz
- Output: +12VDC/~1500mA Regulated
- DC Cord: 6FT, 20AWG
- Ground Tied to Negative Line
- Operating/Storage Temperature: 0°C ~+40°C/ -20°C~+70°C
- Operating/Storage Humidity: 10%~95%RH/ 10%~95%RH
- Approvals: UL/FCC/LPS/WEEE/ROHS/IV
- Meets Energy Efficiency Level IV Standards
- Protection: Over Voltage/Short Circuit
- Packaged Unit Weight: 0.32 lbs
- Carton Quantity: 100 pcs

Inner Box Dimensions:



REV	DESCRIPTION	DATE	BY
A			
B			

ITEM NUMBER	S-12V0-1A5-UG30	PART TITLE	Energy Efficient 12V/1.5A Linear Transformer
PART NUMBER	SA-121A5G	 CONDOR ELECTRONICS, INC. T: 408-745-7141 F: 408-745-0439 780 Montague Expy. Ste. 406 San Jose, CA 95131 USA sales@condorelectronics.net	
DATE	12.10.2013		
APPROVAL	CB		
UNIT	mm		
REV	∅		