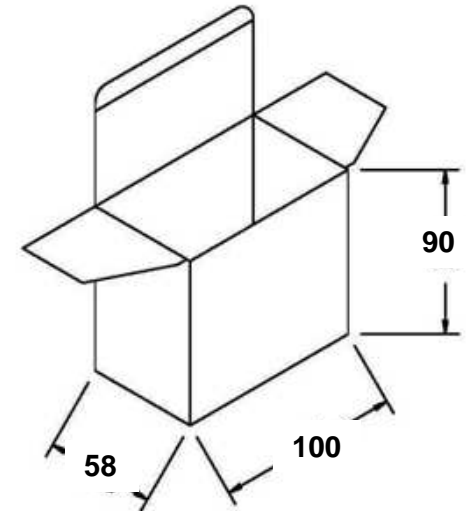


Output Plug and Polarity are Dependent on Customer Requirements

General Specifications

- Input: 100~240Vac/ 47~63Hz
- Output: +12VDC/0~1250mA Regulated
- DC Cord: 6FT, 20AWG
- Operating/Storage Temperature: 0°C ~+40°C/ -10°C~+70°C
- Operating/Storage Humidity: 20%~80%RH/ 10%~90%RH
- Approvals: UL/ CUL/ FCC/ LPS/ PSE/ BSMI/ CCC/ I RAM/ RCM/ TUV/ CE/ WEEE/ ROHS/ V
- Meets Energy Efficiency Level V Standards
- Protection: Over Voltage/Short Circuit
- Packaged Unit Weight: .35 lbs
- Carton Quantity: 60 pcs
- Interchangeable Input Plugs Sold As A Set Or Individually (Country Specific).

Inner Box Dimensions:



REV	DESCRIPTION	DATE	BY
A			
B			

ITEM NUMBER	S-12V0-1A25-U30
PART NUMBER	SA-121A25P
DATE	11.11.2013
APPROVAL	CB
UNIT	mm
REV	∅

PART TITLE	Energy Efficient 12VDC/ 1.25A Universal Input Power Supply
------------	------------------------------------------------------------



CONDOR ELECTRONICS, INC.
 T: 408-745-7141 F: 408-745-0439
 780 Montague Expy. Ste. 406
 San Jose, CA 95131 USA
sales@condorelectronics.net