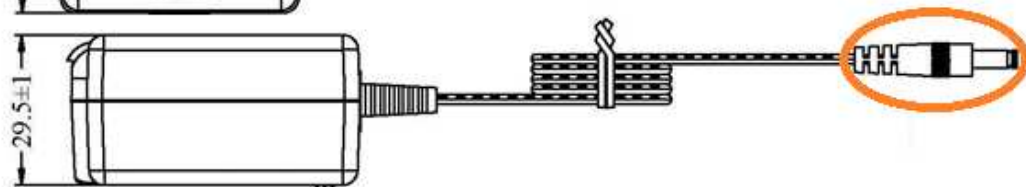
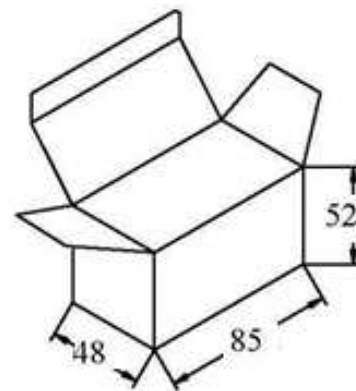


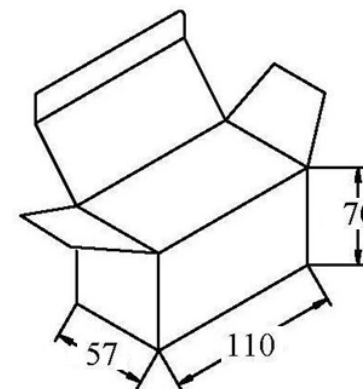
Output Plug and Polarity are Dependent on Customer Requirements



Inner Box Dimensions:



FOR US ONLY




FOR COMPLETE INTERNATIONAL SET

General Specifications

- Input: 100~240Vac/ 47~63Hz
- Output: +7.5VDC/0~800mA Regulated
- DC Cord: 6 FT, 24AWG
- Operating/Storage Temperature: 0°C ~+40°C/ -20°C~+70°C
- Operating/Storage Humidity: 10%~95%RH/ 10%~95%RH
- Approvals: UL/ CUL/ FCC/ LPS/ PSE/ BS/ RCM/ TUV/ CE/ WEEE/ ROHS/ V
- Meets Energy Efficiency Level V Standards
- Protection: Over Voltage/Short Circuit
- Packaged Unit Weight: 0.38 lbs (Complete Set); 0.20lbs (US Only)
- Carton Quantity: 100 pcs (US ONLY) 60 pcs (COMPLETE INTL SET)
- Can Be Used As Desktop Supply When All Interchangeables are Removed (See IEC-320-C8 Inlet)
- Interchangeable Input Plugs Sold As A Set or Individually (Country Specific)

REV	DESCRIPTION	DATE	BY
A			
B			

ITEM NUMBER	S-7V5-0A8-U30	PART TITLE	Convertible Wall Plug-In 7.5VDC/0.8A Power Supply
PART NUMBER	SA-070A8P	 CONDOR ELECTRONICS, INC. T: 408-745-7141 F: 408-745-0439 780 Montague Expy. Ste. 406 San Jose, CA 95131 USA sales@condorelectronics.net	
DATE	12.02.13		
APPROVAL	CB		
UNIT	mm		
REV	∅		