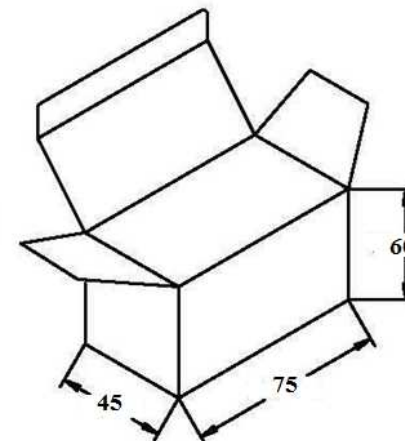


**Output Plug and Polarity are Dependent on Customer Requirements**


**General Specifications**

- Input: 100~240Vac/ 47~63Hz
- Output: +6VDC/0~1000mA Regulated
- DC Cord: 6 FT, 22AWG
- Operating/Storage Temperature: 0°C ~+40°C/ -20°C~+70°C
- Operating/Storage Humidity: 10%~95%RH/ 10%~95%RH
- Approvals: UL/ CUL/ FCC/ LPS/ PSE/ WEEE/ ROHS/ V
- Meets Energy Efficiency Level V Standards
- Protection: Over Voltage/Short Circuit
- Packaged Unit Weight: 0.16lbs
- Carton Quantity: 100 pcs

**Inner Box Dimensions**



REV	DESCRIPTION	DATE	BY
A			
B			

ITEM NUMBER	S-6V0-1A0-UV30	PART TITLE	Energy Efficient 6VDC/1.0A Universal Input Power Supply
PART NUMBER	SA-061A0V	 <b>CONDOR ELECTRONICS, INC.</b> T: 408-745-7141 F: 408-745-0439 780 Montague Expy. Ste. 406 San Jose, CA 95131 USA <a href="mailto:sales@condorelectronics.net">sales@condorelectronics.net</a>	
DATE	12.02.13		
APPROVAL	CB		
UNIT	mm		
REV	∅		