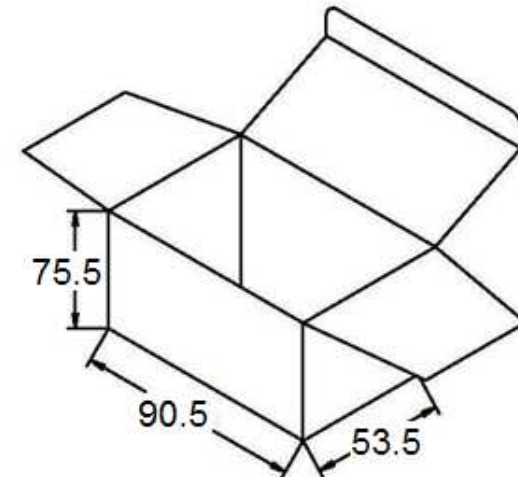


Output Plug and Polarity are Dependent on Customer Requirements


Inner Box Dimensions



General Specifications

- Input: 100~240Vac/ 50~60Hz
- Output: +5VDC/0~4000mA Regulated
- DC Cord: 4.9 FT MIN, 18 AWG
- Operating/Storage Temperature: 0°C ~+40°C/ -20°C~+60°C
- Operating/Storage Humidity: 10%~90%RH/ 10%~95%RH
- Approvals: UL/ CUL/ FCC/ LPS/ PSE/ WEEE/ ROHS/ V
- Meets Energy Efficiency Level V Standards
- Protection: Over Voltage/Short Circuit
- Packaged Unit Weight: 0.34 lbs
- Carton Quantity: 80 pcs

REV	DESCRIPTION	DATE	BY
A			
B			

ITEM NUMBER	S-5V0-4A0-U30	PART TITLE	Energy Efficient 5VDC/4A Universal Input Power Supply
PART NUMBER	SA-054A0W	 CONDOR ELECTRONICS, INC. T: 408-745-7141 F: 408-745-0439 780 Montague Expy. Ste. 406 San Jose, CA 95131 USA sales@condorelectronics.net	
DATE	03.31.2014		
APPROVAL	CB		
UNIT	mm		
REV	∅		