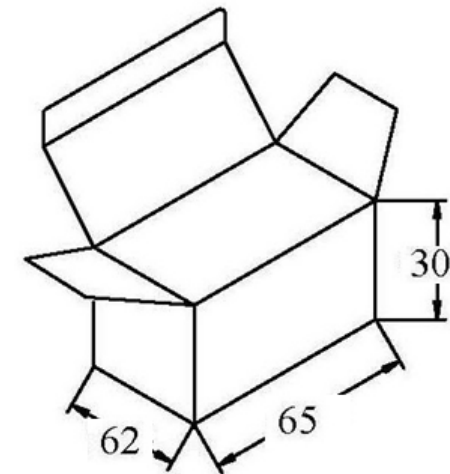



General Specifications

- Input: 100~240Vac/ 47~63Hz
- Output: +5VDC/0~2100mA Regulated
- Single USB Port
- Operating/Storage Temperature: 0°C ~+40°C/ -20°C~+70°C
- Operating/Storage Humidity: 10%~95%RH/10%~95%RH
- Approvals: UL/ CUL/ FCC/ LPS/ PSE/ ROHS/ V
- Meets Energy Efficiency Level V Standards
- Protection: Over Voltage/Short Circuit
- Packaged Unit Weight: 0.16 lbs
- Carton Quantity: 100 pcs

White Inner Box Dimensions:



REV	DESCRIPTION	DATE	BY
A			

ITEM NUMBER	S-5V0-2A1-UV30-USB	PART TITLE	Energy Efficient 5VDC/ 2.1A Universal Input Power Supply with Single USB Port
PART NUMBER	SA-052A1V-USB	 CONDOR ELECTRONICS, INC. T: 408-745-7141 F: 408-745-0439 780 Montague Expy. Ste. 406 San Jose, CA 95131 USA sales@condorelectronics.net	
DATE	11.22.2013		
APPROVAL	CB		
UNIT	mm		