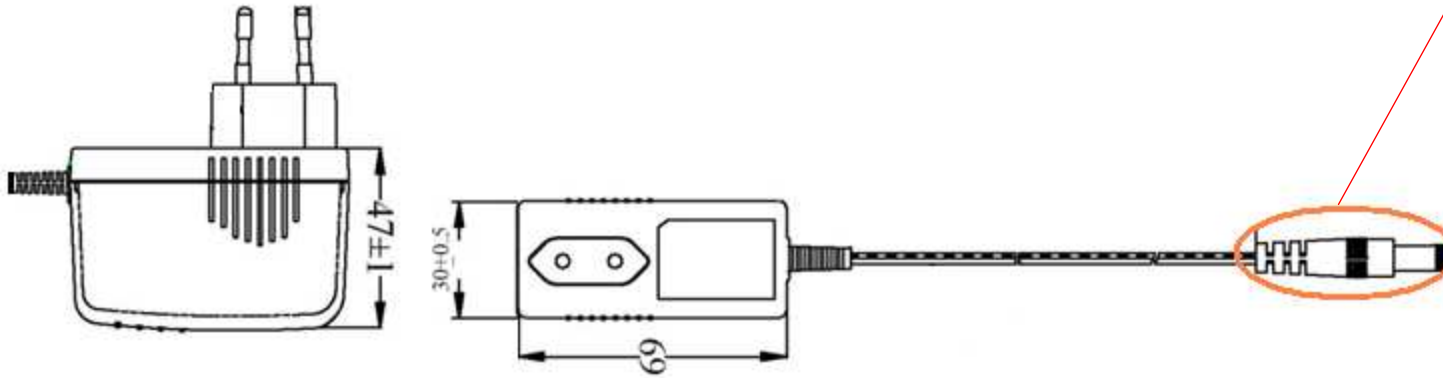
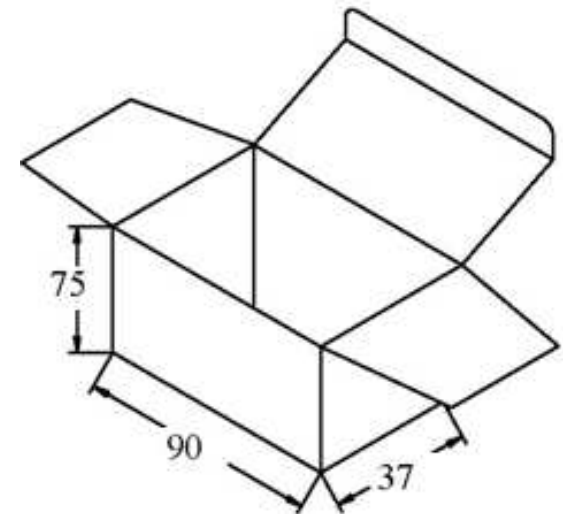




Output Plug and Polarity are Dependent on Customer Requirements




Inner Box Dimensions:



General Specifications

- Input: 100~240Vac/ 47~63Hz
- Output: +5VDC/0~2000mA Regulated
- DC Cord: 6 FT, 22 AWG
- Operating/Storage Temperature: 0°C ~+40°C/ -20°C~+70°C
- Operating/Storage Humidity: 10%~95%RH/ 10%~95%RH
- Approvals: TUV/ CE/ WEEE/ ROHS/ IV
- Meets Energy Efficiency Level IV Standards
- Protection: Over Voltage/Short Circuit
- Packaged Unit Weight: .33 lbs
- Carton Quantity: 80 pcs

ITEM NUMBER	S-5V0-2A0-EV30	PART TITLE	Energy Efficient 5VDC/2A Universal Input Power Supply
PART NUMBER	SA-052A0EV	 CONDOR ELECTRONICS, INC. T: 408-745-7141 F: 408-745-0439 780 Montague Expy. Ste. 406 San Jose, CA 95131 USA sales@condorelectronics.net	
DATE	11.25.2013		
APPROVAL	CB		
UNIT	mm		
REV	∅		

REV	DESCRIPTION	DATE	BY
A			
B			