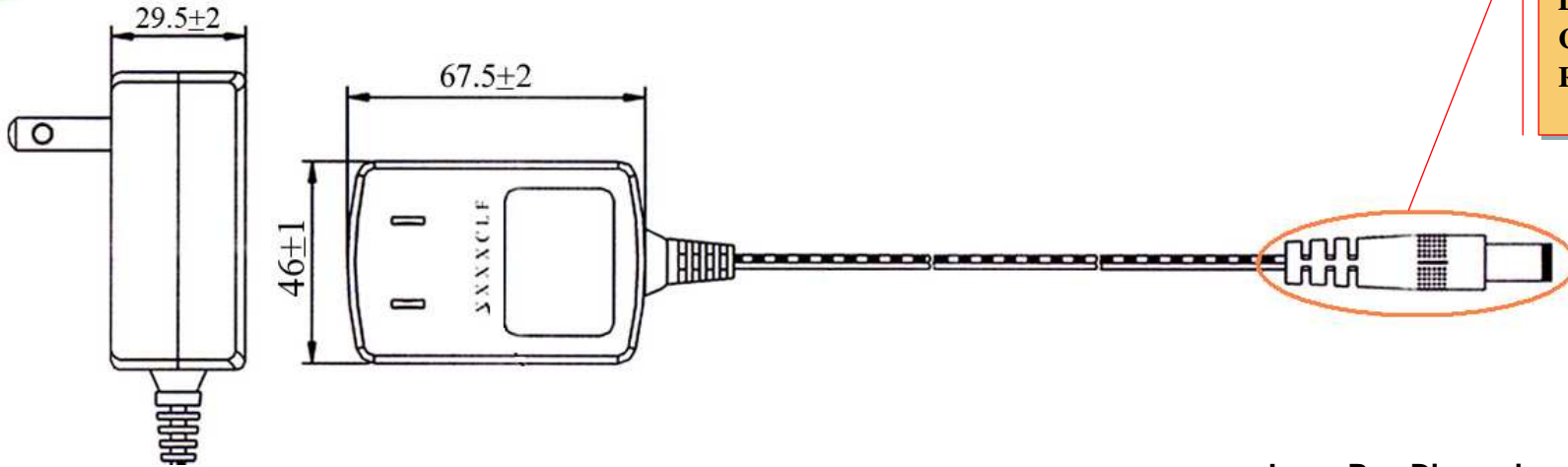




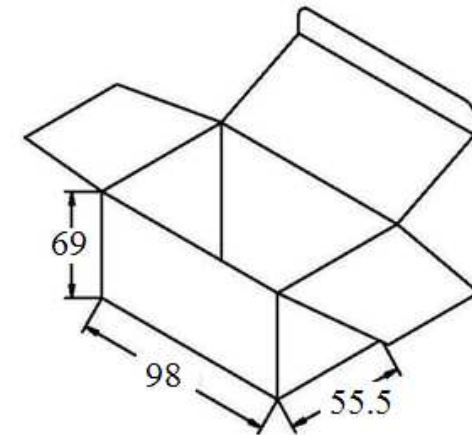
Output Plug and Polarity are Dependent on Customer Requirements




General Specifications

- Input: 100~240Vac/ 47~63Hz
- Output: +3.3VDC/0~3000mA Regulated
- DC Cord: 6 FT MIN, 22 AWG
- Operating/Storage Temperature: 0°C ~+40°C/ -20°C~+70°C
- Operating/Storage Humidity: 10%~95%RH/ 10%~95%RH
- Approvals: UL/ CUL/ FCC/ LPS/ PSE/ WEEE/ ROHS/ I V OR V
- Meets Energy Efficiency Level IV or V Standards
- Protection: Over Voltage/Short Circuit
- Packaged Unit Weight: 0.38 lbs
- Carton Quantity: 100 pcs
- Build to Order

Inner Box Dimensions



| REV | DESCRIPTION | DATE | BY |
|-----|-------------|------|----|
| A | | | |
| B | | | |

| | | | |
|-------------|---------------|--|---|
| ITEM NUMBER | S-3V3-3A0-U30 | PART TITLE | Energy Efficient 3.3VDC/3A Universal Input Power Supply |
| PART NUMBER | SA-033A0W |  CONDOR ELECTRONICS, INC. T: 408-745-7141 F: 408-745-0439 780 Montague Expy. Ste. 406 San Jose, CA 95131 USA sales@condorelectronics.net | |
| DATE | 01.02.2014 | | |
| APPROVAL | CB | | |
| UNIT | mm | | |
| REV | ∅ | | |