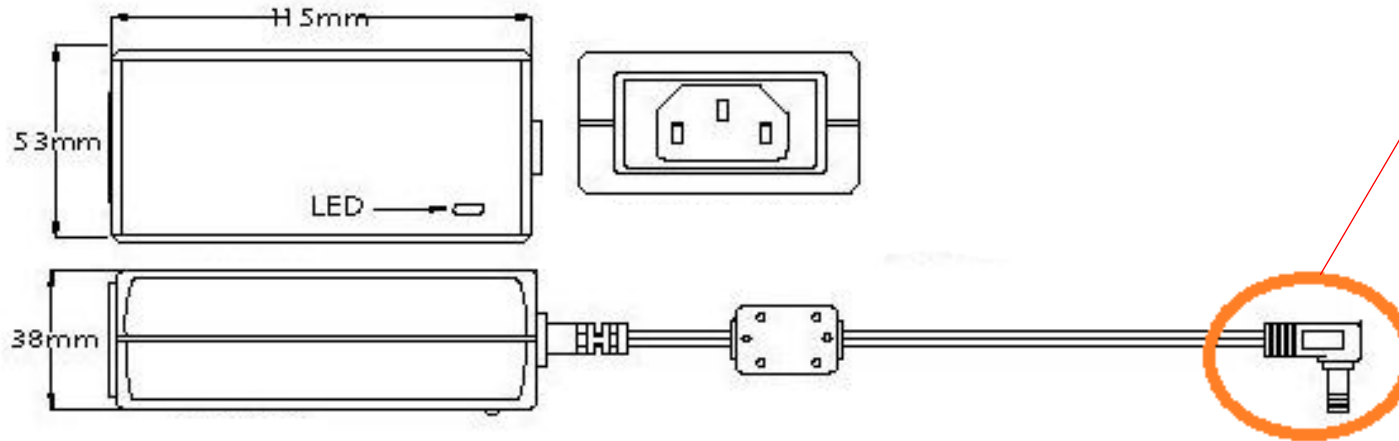
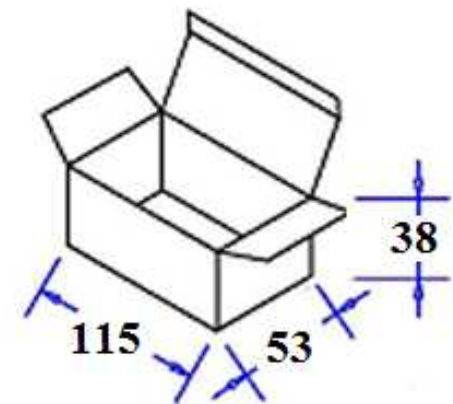




Output Plug and Polarity are Dependent on Customer Requirements




Inner Box Dimensions:



General Specifications

- **Input:** 100~240Vac/ 47~63Hz
- **Output:** +24VDC/0~3000mA Regulated
- **DC Cord:** 4.9 FT, 18 AWG
- **Operating/Storage Temperature:** 0°C ~+40°C/ -20°C~+80°C
- **Operating/Storage Humidity:** 20%~80%RH/ 10%~90%RH
- **Approvals:** UL/ CUL/ FCC/ LPS/ PSE/ BSMI / CCC/ RCM/ TUV/ CE/ WEEE/ ROHS/ V
- **Meets Energy Efficiency Level V Standards / NRCan**
- **Protection:** Over Voltage/Short Circuit/Over Current/Over Temperature
- **Packaged Unit Weight:** 0.7 lbs
- **Carton Quantity:** 40 pcs

ITEM NUMBER	S-24V0-3A0-IDG30	PART TITLE	Energy Efficient 24 VDC / 3A Universal Input Power Supply
PART NUMBER	SA-243A0IV	 CONDOR ELECTRONICS, INC. T: 408-745-7141 F: 408-745-0439 780 Montague Expy. Ste. 406 San Jose, CA 95131 USA sales@condorelectronics.net	
DATE	03.11.2014		
APPROVAL	CB		
UNIT	mm		
REV	∅		

REV	DESCRIPTION	DATE	BY
A			
B			