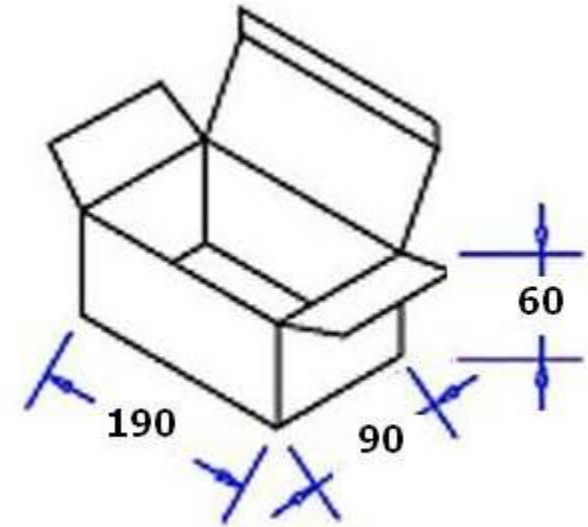


Output Plug and Polarity are Dependent on Customer Requirements



White Inner Box Dimensions

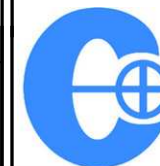


General Specifications

- Input: 100~240Vac/ 47~63Hz
- Output: +19VDC/0~10500mA Regulated
- DC Cord: 4.9FT, 16AWG
- Operating/Storage Temperature: 0°C ~+40°C/ -20°C~+60°C
- Operating/Storage Humidity: 20%~80%RH/10%~90%RH
- M.T.B.F.: 50,000 Hrs. Minimum (25°C Ambient Temp., Full Load)
- Approvals: UL/CUL/FCC/PSE/BSMI/TUV/WEEE/ROHS/V
- Meets Energy Efficiency Level V Standards
- Protection: Over Voltage/Short Circuit/Over Current/Over Temperature
- Packaged Unit Weight: 1.82 lbs
- Build to Order

ITEM NUMBER	S-19V0-10A5-IDG30
PART NUMBER	SA-1910A51V
DATE	03.10.2014
APPROVAL	CB
UNIT	mm

PART TITLE	Energy Efficient 19VDC/ 10.5A Universal Input Power Supply
------------	--



CONDOR ELECTRONICS, INC.
 T: 408-745-7141 F: 408-745-0439
 780 Montague Expy. Ste. 406
 San Jose, CA 95131 USA
sales@condorelectronics.net

REV	DESCRIPTION	DATE	BY
A			