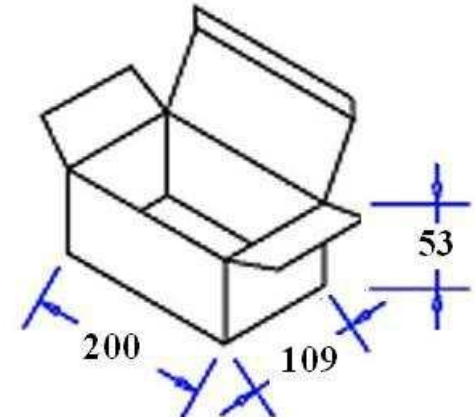


**Output Plug and Polarity are Dependent on Customer Requirements**

White Inner Box Dimensions



**General Specifications**

- Input: 100~240Vac/ 47~63Hz
- Output: +16VDC/0~750mA Regulated
- DC Cord: 5FT, 14AWG
- Operating/Storage Temperature: 0°C ~+40°C/ -20°C~+60°C
- Operating/Storage Humidity: 20%~80%RH/10%~90%RH
- M.T.B.F.: 50,000 Hrs. Minimum (25°C Ambient Temp., Full Load)
- Approvals: UL/ CUL/ FCC/ BSMI/ PSE/ CCC/ RCM/ TUV/ CE/ WEEE/ ROHS/ V
- Meets Energy Efficiency Level V Standards
- Protection: Over Voltage/Short Circuit/Over Current/Over Temperature
- Packaged Unit Weight: 1.45 lbs
- Box Quantity: 24 pcs

ITEM NUMBER	S-16V0-7A5-IDG30
PART NUMBER	SA-167A5IV
DATE	10.28.10
APPROVAL	EB
UNIT	mm
REV	∅

PART TITLE	Energy Efficient 16VDC/ 7.5A Universal Input Power Supply
------------	---



**CONDOR ELECTRONICS, INC.**  
 T: 408-745-7141 F: 408-745-0439  
 780 Montague Expy. Ste. 406  
 San Jose, CA 95131 USA  
[sales@condorelectronics.net](mailto:sales@condorelectronics.net)

REV	DESCRIPTION	DATE	BY
A	Updated Approvals	8/12	EB
B			