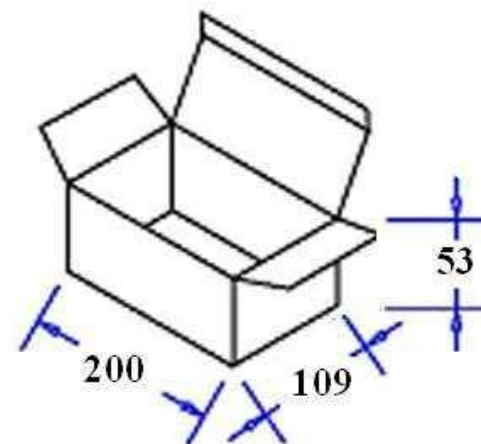


Output Plug and Polarity are Dependent on Customer Requirements

General Specifications

- Input: 100~240Vac/ 47~63Hz
- Output: +15VDC/0~8000mA Regulated
- DC Cord: 4.9FT, 14AWG
- Operating/Storage Temperature 0°C ~+40°C/ -20°C~+60°C
- Operating/Storage Humidity 20%~80%RH/10%~90%RH
- M.T.B.F.: 50,000 Hrs. Minimum (25°C Ambient Temp., Full Load)
- Approvals: UL/CUL/FCC/BSMI/PSE/CCC/RCM/TUV/CE/WEEE/ROHS/V
- Meets Energy Efficiency Level V Standards
- Protection: Over Voltage/Short Circuit/ Over Current/Over Temperature
- Packaged Unit Weight: 1.45 lbs
- Box Quantity: 24 pcs

White Inner Box Dimensions



REV	DESCRIPTION	DATE	BY
A			
B			

ITEM NUMBER	S-15V0-8A0-IDG30	PART TITLE	Energy Efficient 15VDC/ 8A Universal Input Power Supply
PART NUMBER	SA-158A01V	 CONDOR ELECTRONICS, INC. T: 408-745-7141 F: 408-745-0439 780 Montague Expy. Ste. 406 San Jose, CA 95131 USA sales@condorelectronics.net	
DATE	02.07.2014		
APPROVAL	CB		
UNIT	mm		
REV	∅		