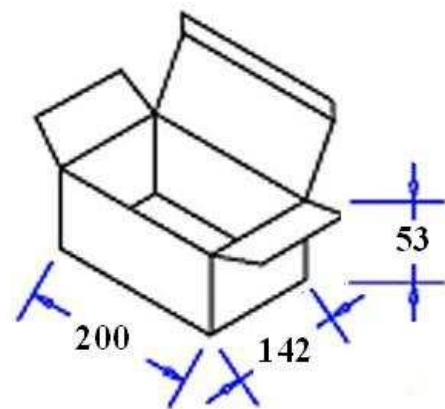


Output Plug and Polarity are Dependent on Customer Requirements

White Inner Box Dimensions



General Specifications

- Input: 100~240Vac/ 47~63Hz
- Output: +15VDC/0~6000mA Regulated
- DC Cord: 3.5FT, 18AWG
- Operating/Storage Temperature: 0°C ~+40°C/ -20°C~+60°C
- Operating/Storage Humidity: 20%~80%RH/10%~90%RH
- M.T.B.F.: 50,000 Hrs. Minimum (25°C Ambient Temp., Full Load)
- Approvals: UL/ CUL/ FCC/ BSMI/ PSE/ TUV/ CE/ WEEE/ ROHS/ V
- Meets Energy Efficiency Level V Standards
- Protection: Over Voltage/Short Circuit/Over Current
- Packaged Unit Weight: .95 lbs
- Box Quantity: 24 pcs

REV	DESCRIPTION	DATE	BY
A	Updated Approvals	8/12	EB
B			

ITEM NUMBER	S-15V0-6A0-IDG30
PART NUMBER	SA-156A01V
DATE	01.31.12
APPROVAL	EB
UNIT	mm
REV	∅

PART TITLE	15VDC/ 6A Universal Input Power Supply
------------	--



CONDOR ELECTRONICS, INC.
 T: 408-745-7141 F: 408-745-0439
 780 Montague Expy. Ste. 406
 San Jose, CA 95131 USA
sales@condorelectronics.net