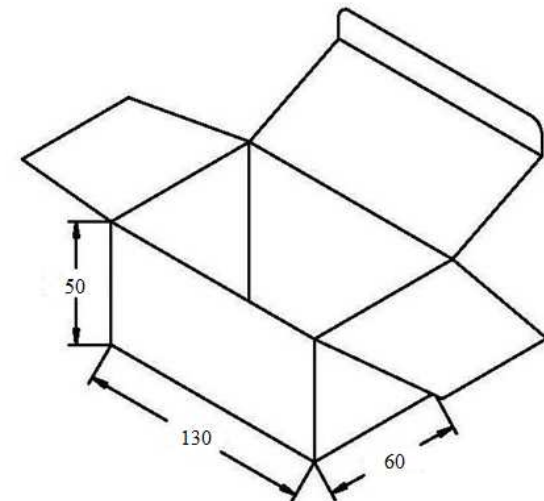


Output Plug and Polarity are Dependent on Customer Requirements


Inner Box Dimensions



General Specifications

- Input: 100~240Vac/ 47~63Hz
- Output: +15VDC/0~2000mA Regulated
- DC Cord: 6FT, 18AWG
- Operating/Storage Temperature: 0°C ~+40°C/ -20°C~+70°C
- Operating/Storage Humidity: 10%~95%RH/10%~95%RH
- M.T.B.F.: 50,000 Hrs. Minimum (25°C Ambient Temp., Full Load)
- Approvals: UL/ CUL/ FCC/ LPS/ PSE/ RCM/ TUV/ CE/ WEEE/ ROHS/ V
- Meets Energy Efficiency Level V Standards
- Protection: Over Voltage/Short Circuit
- Packaged Unit Weight: 0.46 lbs
- Carton Quantity: 60 pcs

REV	DESCRIPTION	DATE	BY
A			
B			

ITEM NUMBER	S-15V0-2A-IDG30	PART TITLE	Energy Efficient 15V/ 2.0A Universal Input Power Supply
PART NUMBER	SA-152A0IV	 CONDOR ELECTRONICS, INC. T: 408-745-7141 F: 408-745-0439 780 Montague Expy. Ste. 406 San Jose, CA 95131 USA sales@condorelectronics.net	
DATE	12.13.2013		
APPROVAL	CB		
UNIT	mm		
REV	∅		