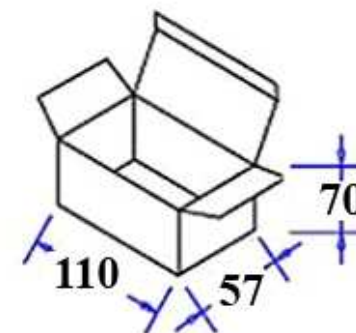


Output Plug and Polarity are Dependent on Customer Requirements

White Inner Box Dimensions



General Specifications

- Input: 100~240Vac/ 47~63Hz
- Output: +15VDC/0~1600mA Regulated
- DC Cord: 5FT, 20AWG
- Operating/Storage Temperature: 0°C ~+40°C/ -10°C~+70°C
- Operating/Storage Humidity: 20%~80%RH/10%~90%RH
- Approvals: UL/ CUL/ FCC/ LPS/ PSE/ TUV/ CE/ WEEE/ ROHS/ V
- Meets Energy Efficiency Level V Standards
- Protection: Over Temperature/Short Circuit
- Packaged Unit Weight: .32 lbs
- Box Quantity: 80 pcs

ITEM NUMBER	S-15V0-1A6-I2-30
PART NUMBER	SA-151A6IV-2W
DATE	04.08.10
APPROVAL	EB
UNIT	mm
REV	ø

PART TITLE	Energy Efficient 15VDC/ 1.6A Universal Input Power Supply
------------	---



CONDOR ELECTRONICS, INC.
 T: 408-745-7141 F: 408-745-0439
 780 Montague Expy. Ste. 406
 San Jose, CA 95131 USA
sales@condorelectronics.net

REV	DESCRIPTION	DATE	BY
A			
B			