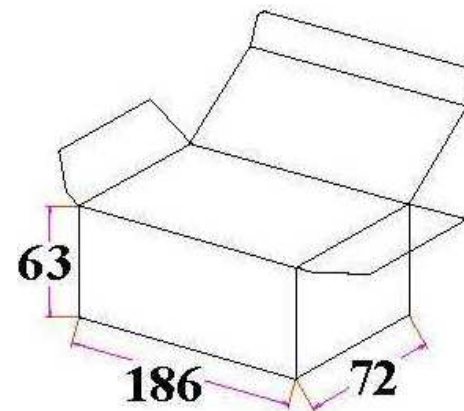


**Output Plug and Polarity are Dependent on Customer Requirements**


### General Specifications

- Input: 100~240Vac/ 47~63Hz
- Output: +13.5VDC/0~7100mA Regulated
- DC Cord: 3.9FT, 16AWG With Ferrite
- Operating/Storage Temperature: 0°C ~+40°C/ -10°C~+55°C
- Operating Humidity: 5%~90%RH
- M.T.B.F.: 50,000 Hrs. Minimum (25°C Ambient Temp., Full Load)
- Approvals: UL/ CUL/ FCC/ PSE/ BS/ C-TICK/ S-MARK/ TUV/ WEEE/ ROHS/ V
- Meets Energy Efficiency Level V Standards/ ErP Stage 2
- Protection: Over Voltage/Short Circuit
- Unit Weight: 1.07 lbs
- Carton Quantity: 30 pcs

### Inner Box Dimensions



REV	DESCRIPTION	DATE	BY
A			
B			

ITEM NUMBER	S-13V5-7A1-IDG30	PART TITLE	Energy Efficient 13.5VDC/7.1A Universal Input Power Supply
PART NUMBER	SA-137A1IV	 <b>CONDOR ELECTRONICS, INC.</b> T: 408-745-7141 F: 408-745-0439 780 Montague Expy. Ste. 406 San Jose, CA 95131 USA <a href="mailto:sales@condorelectronics.net">sales@condorelectronics.net</a>	
DATE	01.07.2014		
APPROVAL	CB		
UNIT	mm		
REV	∅		