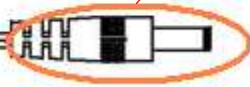
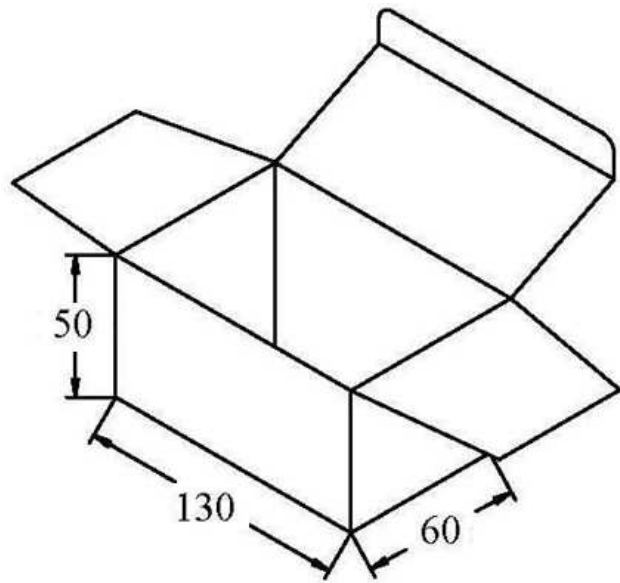


Output Plug and Polarity are Dependent on Customer Requirements



White Inner Box Dimensions



General Specifications

- Input: 100~240Vac/ 47~63Hz, IEC C-14
- Output: +12VDC/0~2500mA Regulated
- DC Cord: 4.9FT, 18AWG
- Operating/Storage Temperature: 0°C ~+40°C/ -20°C~+70°C
- Operating/Storage Humidity: 10%~95%RH/10%~95%RH
- M.T.B.F.: 50,000 Hrs. Minimum (25°C Ambient Temp., Full Load)
- Approvals: UL/ CUL/ FCC/ LPS/ PSE/ CCC/ RCM/ KOREA/ TUV/ CE/ WEEE/ ROHS/ V
- Meets Energy Efficiency Level V Standards
- Protection: Over Voltage/Short Circuit
- Packaged Unit Weight: .52 lbs
- Carton Quantity: 60 pcs

REV	DESCRIPTION	DATE	BY
A			
B			

ITEM NUMBER	S-12V0-2A5-IDG30	PART TITLE	Energy Efficient 12VDC/ 2.5A Universal Input Power Supply
PART NUMBER	SA-122A5IV	 CONDOR ELECTRONICS, INC. T: 408-745-7141 F: 408-745-0439 780 Montague Expy. Ste. 406 San Jose, CA 95131 USA sales@condorelectronics.net	
DATE	12.12.2013		
APPROVAL	CB		
UNIT	mm		
REV	∅		