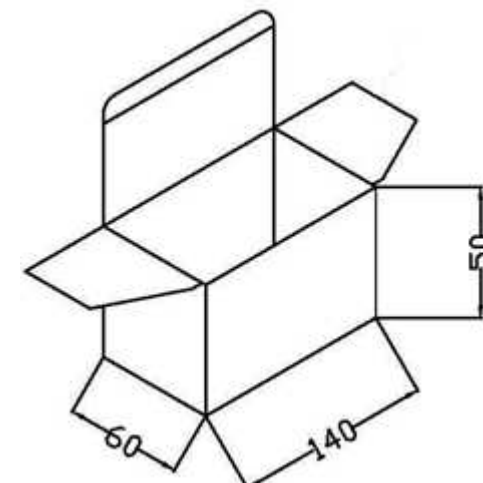



White Inner Box Dimensions

General Specifications

- Input: 100~240Vac/ 47~63Hz , 2 PIN IEC-C8 Socket
- Output: +5.95VDC/0~6000mA Regulated $\pm 5\%$
- DC Cord: 20 IN, 16AWG
- Operating/Storage Temperature: 0°C ~+40°C/ -10°C~+70°C
- Operating/Storage Humidity: 20%~80%RH/10%~90%RH
- Approvals: UL/ CUL/ FCC/ LPS/ PSE/ TUV/ CE/ WEEE/ ROHS/ V
- Meets Energy Efficiency Level V Standards
- Protection: Over Voltage/Short Circuit
- Packaged Unit Weight: .48 lbs
- Carton Quantity: 45 pcs



REV	DESCRIPTION	DATE	BY
A			

ITEM NUMBER	S-5V95-6A0-I2-30	PART TITLE	Energy Efficient 5.95VDC/ 6.0A 2 Wire Universal Input Power Supply
PART NUMBER	SA-0596A0IV-2W	 CONDOR ELECTRONICS, INC. T: 408-745-7141 F: 408-745-0439 780 Montague Expy. Ste. 406 San Jose, CA 95131 USA sales@condorelectronics.net	
DATE	02.14.12		
APPROVAL	EB		
UNIT	mm		