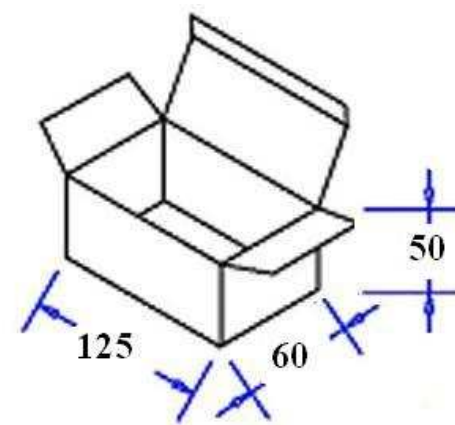


**Output Plug and Polarity are Dependent on Customer Requirements**


White Inner Box Dimensions



**General Specifications**

- Input: 100~240Vac/ 47~63Hz
- Output: +6VDC/0~3500mA Regulated
- DC Cord: 8FT, 18AWG
- Operating/Storage Temperature: 0°C ~+40°C/ -20°C~+70°C
- Operating/Storage Humidity: 10%~95RH/10%~95%RH
- M.T.B.F.: 50,000 Hrs. Minimum (25°C Ambient Temp., Full Load)
- Approvals: UL/ CUL/ FCC/ CCC/ TUV/ CE/ WEEE/ ROHS/ IV
- Meets Energy Efficiency Level IV Standards
- Protection: Over Voltage/Short Circuit
- Packaged Unit Weight: .50 lbs
- Box Quantity: 60 pcs

REV	DESCRIPTION	DATE	BY
A			
B			

ITEM NUMBER	S-6V0-3A5-IDG30	PART TITLE	Energy Efficient 6VDC/ 3.5A Universal Input Power Supply
PART NUMBER	SA-063A5IV	 <b>CONDOR ELECTRONICS, INC.</b> T: 408-745-7141 F: 408-745-0439 780 Montague Expy. Ste. 406 San Jose, CA 95131 USA <a href="mailto:sales@condorelectronics.net">sales@condorelectronics.net</a>	
DATE	12.02.2013		
APPROVAL	CB		
UNIT	mm		
REV	∅		