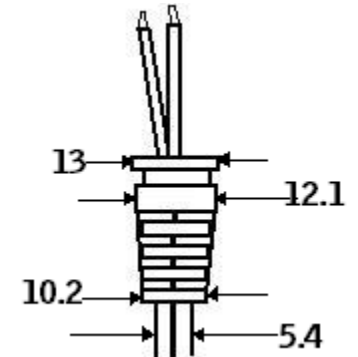
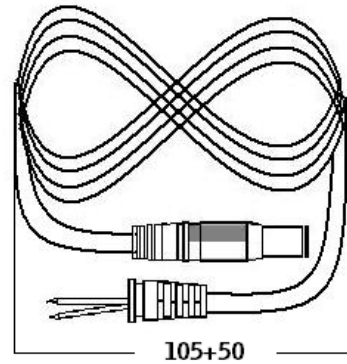
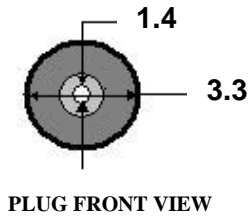


Tolerance is
± .5MM
unless
otherwise
specified.



PLUG: PIN SIZE 1.4MM, 3.3(ID) x 6.5(OD) x 9.5MM (L) WIRE WITH WORDING IS POSITIVE

END: STRIPPED AND TINNED LEADS WITH STRAIN RELIEF

LENGTH: 6FT± 2 IN.

WIRE TYPE: SPT-1, 18AWGX2C VW-1, 60°C 300V

JACKET: BLACK

APPROVALS:



STRAIN RELIEF FRONT VIEW

PART TITLE	SINGLE ENDED 6FT 18AWG CABLE ASSEMBLY WITH EIAJ5 PLUG AND STRIPPED AND TINNED LEADS WITH STRAIN RELIEF
-------------------	--

PART NUMBER	CA-EI AJ5-6FT-18AWG-SR-S/ T
DATE	04.08.2011
APPROVAL	EB
UNIT	MM



CONDOR ELECTRONICS, INC.
T: 408-745-7141 F: 408-745-0439
780 Montague Expy. Ste. 406
San Jose, CA 95131 USA
sales@condorelectronics.net

REV	DESCRIPTION	DATE	BY
A			