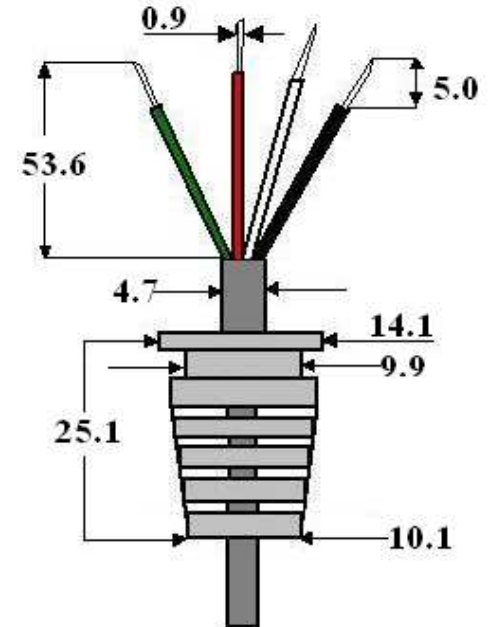
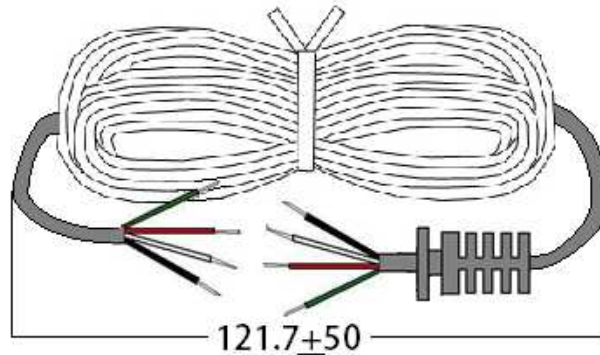
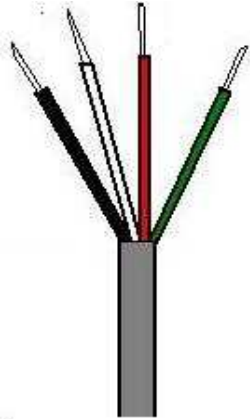


Tolerance is
± .5MM
unless
otherwise
specified.



ENDS: FOUR COLOR-CODED WIRES WITH STRIPPED AND TINNED LEADS AND A STRAIN RELIEF.

LENGTH: 8FT± 2 IN.

WIRE TYPE: 20AWG

JACKET: BLACK, SEMI-RIGID POLYVINYLCHLORIDE, ROUND

PART TITLE	8FT 20AWG CABLE ASSEMBLY WITH COLOR CODED WIRES, A SINGLE STRAIN RELIEF, AND NO PLUG CONNECTOR
-------------------	--

PART NUMBER	CA-4W-8FT-20AWG-SR-S/ T
DATE	05.25.2011
APPROVAL	EB
UNIT	MM



CONDOR ELECTRONICS, INC.
T: 408-745-7141 F: 408-745-0439
780 Montague Expy. Ste. 406
San Jose, CA 95131 USA
sales@condorelectronics.net

REV	DESCRIPTION	DATE	BY
A			