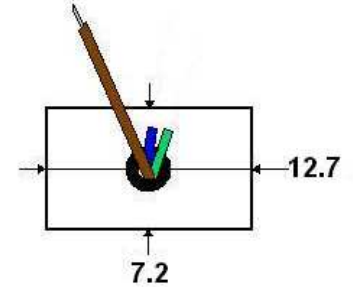
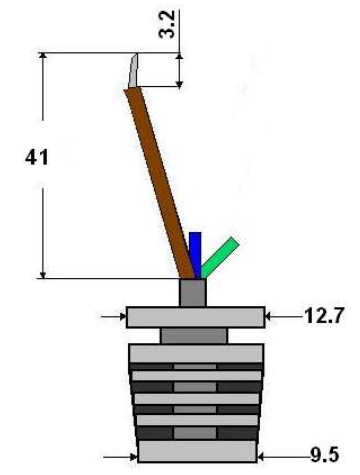
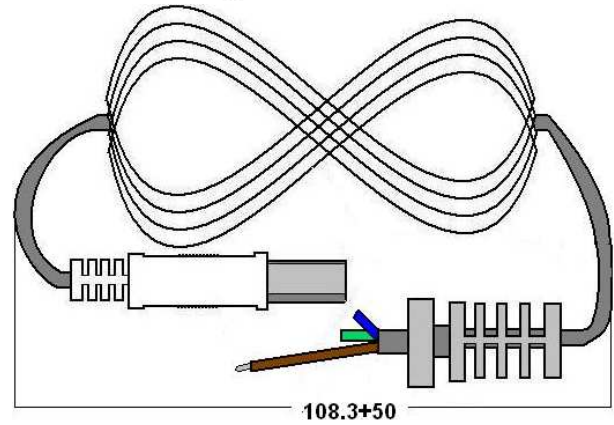
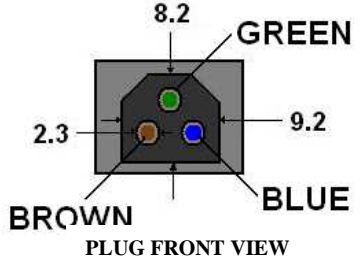
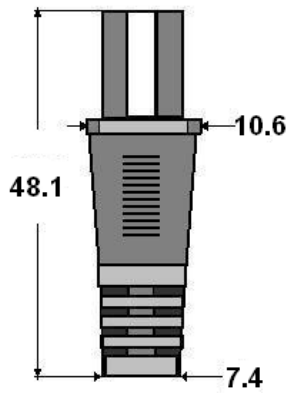


Tolerance is  $\pm .5\text{MM}$  unless otherwise specified.



STRAIN RELIEF FRONT VIEW

PLUG: 212, 3 CONDUCTOR

END: THREE COLOR-CODED WIRES WITH STRIPPED AND TINNED LEADS AND A STRAIN RELIEF.

LENGTH: 6FT  $\pm$  2 IN.

WIRE TYPE: 20AWG, AWM STYLE 2464, VW-1, 80°C, 300V

JACKET: BLACK, SEMI RIGID POLYVINYLCHLORIDE, ROUND

APPROVALS: <sup>®</sup>

REV	DESCRIPTION	DATE	BY
A			

PART NUMBER	CA212-6FT-3W-20AWG-SR-S/T
DATE	06.15.2011
APPROVAL	EB
UNIT	MM

PART TITLE	SINGLE ENDED 6FT 20AWG CABLE ASSEMBLY WITH 212 PLUG AND 3 COLOR CODED STRIPPED AND TINNED LEADS WITH STRAIN RELIEF
------------	--

**CONDOR ELECTRONICS, INC.**  
 T: 408-745-7141 F: 408-745-0439  
 780 Montague Expy. Ste. 406  
 San Jose, CA 95131 USA  
 sales@condorelectronics.net