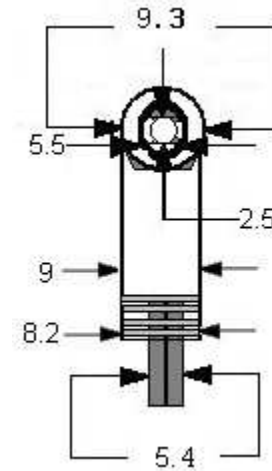
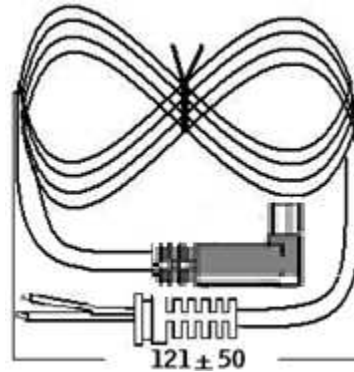
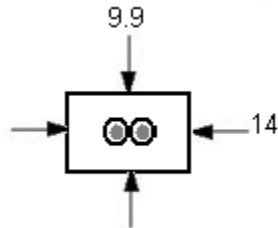
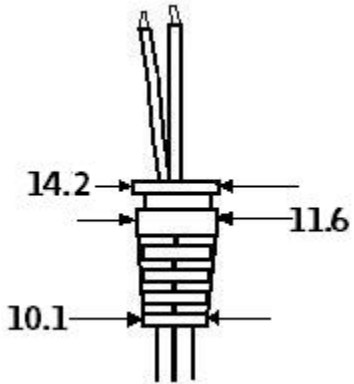


Tolerance is
± .5MM
unless
otherwise
specified.



PLUG: (2.5 x 5.5 x 11mm) RIGHT ANGLE
 END: STRIP AND TIN WITH STRAIN RELIEF
 LENGTH: 8FT± 2 IN. (2440 ± 50mm)
 WIRE TYPE: SPT-1 18AWG X 2C 105°C 300V
 JACKET: BLACK
 APPROVALS: c us

REV	DESCRIPTION	DATE	BY
A			

PART NUMBER	CA206RA-11MM-8FT-18AWG-SR-S/T
DATE	02.22.2011
APPROVAL	EB
UNIT	MM

PART TITLE	DESCRIPTION
	SINGLE ENDED 8FT 18AWG CABLE ASSEMBLY WITH 206RA PLUG AND STRAIN RELIEF
CONDOR ELECTRONICS, INC. T: 408-745-7141 F: 408-745-0439 780 Montague Expy. Ste. 406 San Jose, CA 95131 USA sales@condorelectronics.net	