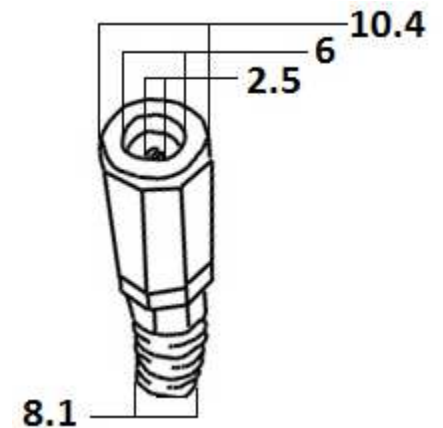
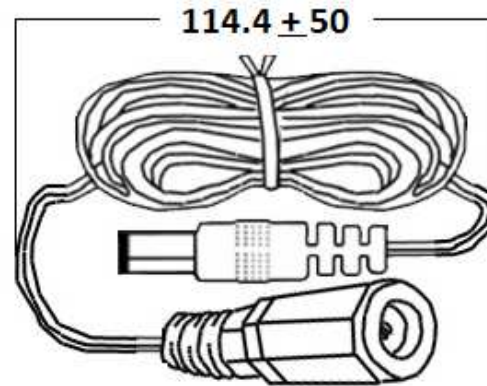
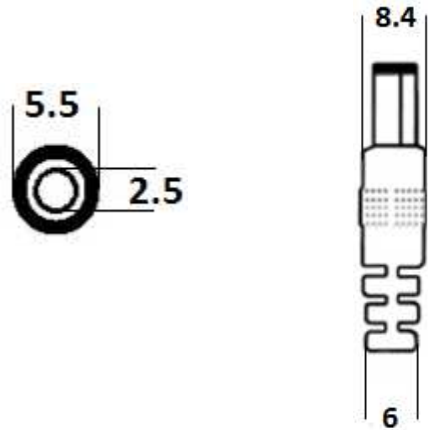


Tolerance is
± .5MM
unless
otherwise
specified.



PLUG: 206 (2.5 x 5.5 x 11mm)

END: 206 INLINE WITH 2.5 PIN

LENGTH: 20FT± 2 IN. (6096 ± 50mm)

WIRE TYPE: 20AWGX2C VW-1, 80°C 300V, AWM 2468

JACKET: BLACK, FLAT, WHITE WIRE POSITIVE

APPROVALS:

REV	DESCRIPTION	DATE	BY
A			

PART NUMBER	CA2061NL-206-20FT-20AWG
DATE	07.31.2012
APPROVAL	EB
UNIT	MM

PART TITLE	DOUBLE ENDED 20FT 20AWG CABLE ASSEMBLY WITH 206 FEMALE PLUG AND 206 INLINE PLUG
------------	---



CONDOR ELECTRONICS, INC.
T: 408-745-7141 F: 408-745-0439
780 Montague Expy. Ste. 406
San Jose, CA 95131 USA
sales@condorelectronics.net