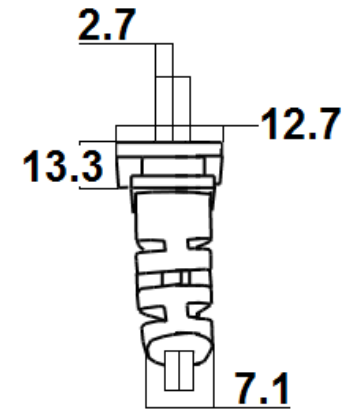
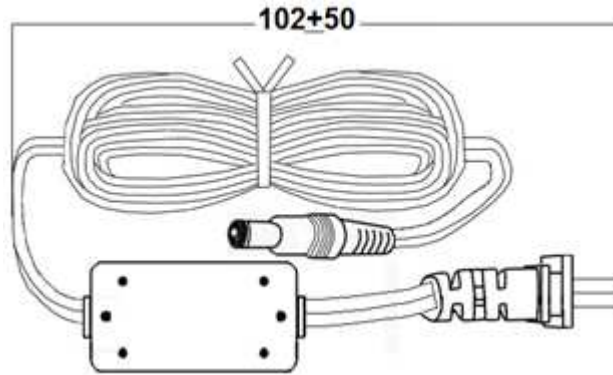
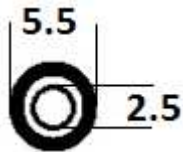
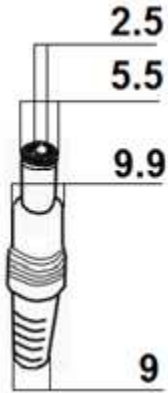


Tolerance is  
± .5MM  
unless  
otherwise  
specified.



PLUG: 206 DETENTED (2.5 x 5.5 x 11mm)

END: BLUNT CUT LEADS WITH STRAIN RELIEF

LENGTH: 4.9FT± 2 IN

WIRE TYPE: SPT-1, 18AWG (2X0.824mm<sup>2</sup>), 105°C, 300V, FT2


JACKET: BLACK, FLAT, WIRE WITH WORDING IS POSITIVE

APPROVALS:

REV	DESCRIPTION	DATE	BY
A			

PART NUMBER	CA206D-4.9FT-18AWG-FER-SR-BC
DATE	07.31.2012
APPROVAL	EB
UNIT	MM

PART TITLE	DESCRIPTION
	SINGLE ENDED 4.9FT 18AWG CABLE ASSEMBLY WITH 206 DETENTED FEMALE PLUG WITH STRAIN RELIEF AND FERRITE BEAD



**CONDOR ELECTRONICS, INC.**  
 T: 408-745-7141 F: 408-745-0439  
 780 Montague Expy. Ste. 406  
 San Jose, CA 95131 USA  
[sales@condorelectronics.net](mailto:sales@condorelectronics.net)