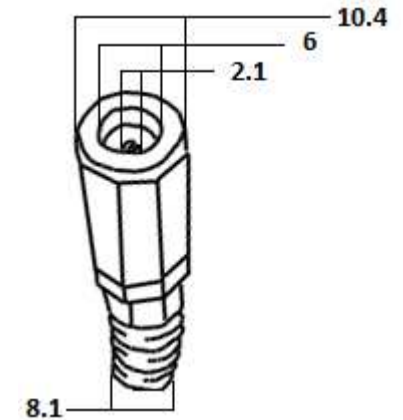
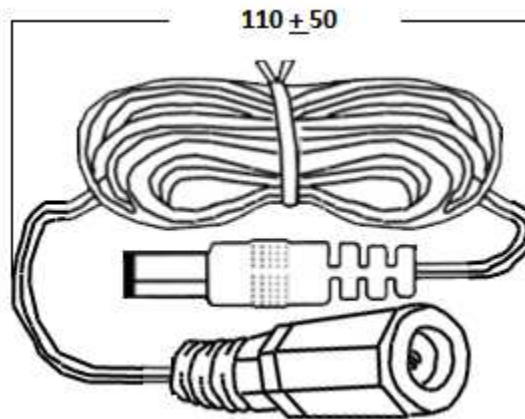
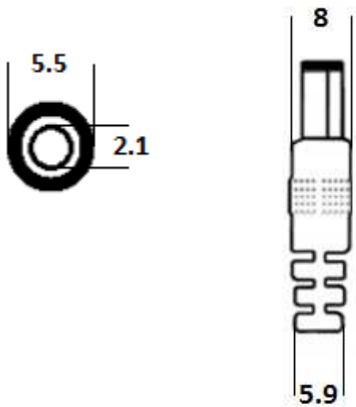


Tolerance is  
± .5MM  
unless  
otherwise  
specified.



PLUG: 205 (2.1 x 5.5 x 11mm)

END: 205 INLINE WITH 2.1 PIN

LENGTH: 12FT± 2 IN. (3650 ± 50mm)

WIRE TYPE: 20AWGX2C VW-1, 80°C 300V

JACKET: BLACK, FLAT, WHITE WIRE POSITIVE

APPROVALS:

REV	DESCRIPTION	DATE	BY
A			

PART NUMBER	CA2051NL-205-12FT-20AWG
DATE	07.30.2012
APPROVAL	EB
UNIT	MM

	<b>PART TITLE</b> DOUBLE ENDED 12FT 20AWG CABLE ASSEMBLY WITH 205 FEMALE PLUG AND 205 INLINE PLUG
	<b>CONDOR ELECTRONICS, INC.</b> T: 408-745-7141 F: 408-745-0439 780 Montague Expy. Ste. 406 San Jose, CA 95131 USA <a href="mailto:sales@condorelectronics.net">sales@condorelectronics.net</a>