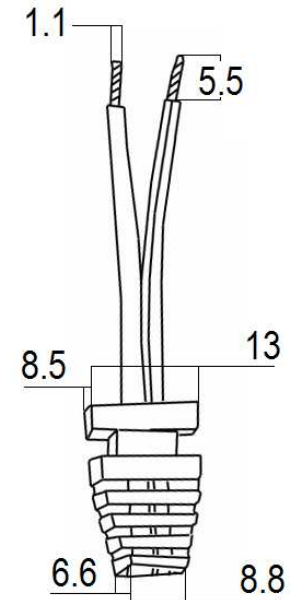
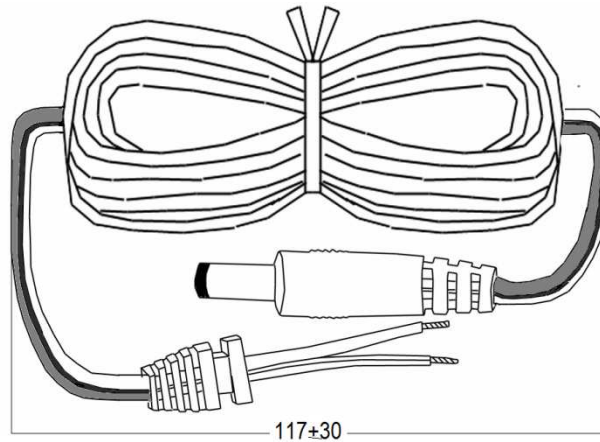
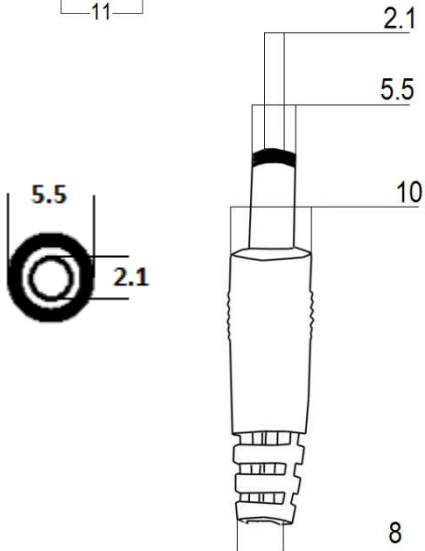


**Tolerance is
± .5MM
unless
otherwise
specified.**



PLUG: 205 (2.1 x 5.5 x 11mm)

END: STRAIN RELIEF WITH STRIPPED AND TINNED LEADS

LENGTH: 8FT± 2 IN. (2440 ± 50mm)

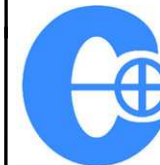
WIRE TYPE: 20AWG (THICK INSULATED)

JACKET: BLACK, FLAT, THICK, WHITE WIRE POSITIVE

REV	DESCRIPTION	DATE	BY
A			

PART NUMBER	CA205-8FT-20AWG-SR-S/ T-TK
DATE	08.08.2012
APPROVAL	EB
UNIT	MM

PART TITLE	8FT THICK INSULATED 20AWG CABLE ASSEMBLY WITH 205 FEMALE PLUG AND STRAIN RELIEF WITH STRIPPED AND TINNED LEADS
------------	--



CONDOR ELECTRONICS, INC.
 T: 408-745-7141 F: 408-745-0439
 780 Montague Expy. Ste. 406
 San Jose, CA 95131 USA
sales@condorelectronics.net