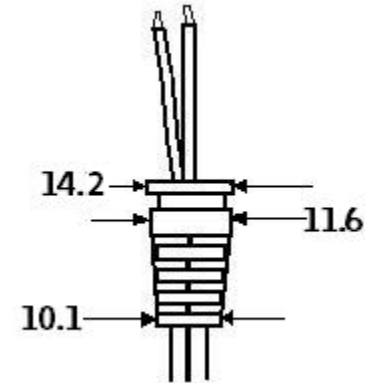
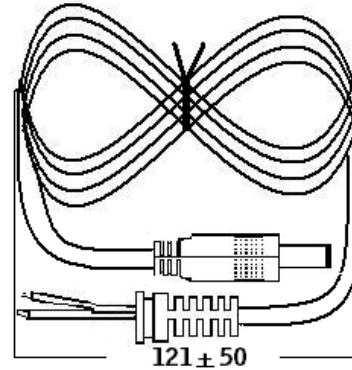
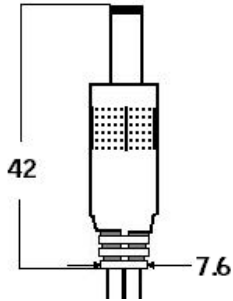


Tolerance is ±.5MM unless otherwise specified.



STRAIN RELIEF FRONT VIEW

PLUG: 205 (2.1 X 5.5 X 11MM), WIRE WITH WORDING IS POSITIVE

END: STRIPPED AND TINNED LEADS WITH STRAIN RELIEF 57-A

LENGTH: 8FT ± 2 IN. (2400 ± 50mm)

WIRE TYPE: SPT-1, 18AWG(2X0.824mm<sup>2</sup>) VW-1, 105°C 300V

JACKET: BLACK

APPROVALS:

<b>PART TITLE</b>	SINGLE ENDED 8FT 18AWG CABLE ASSEMBLY WITH 205 PLUG AND STRIPPED AND TINNED LEADS WITH STRAIN RELIEF
-------------------	--

<b>PART NUMBER</b>	CA205-8FT-18AWG-SR-S/T
<b>DATE</b>	04.08.2011
<b>APPROVAL</b>	EB
<b>UNIT</b>	MM



**CONDOR ELECTRONICS, INC.**  
 T: 408-745-7141 F: 408-745-0439  
 780 Montague Expy. Ste. 406  
 San Jose, CA 95131 USA  
[sales@condorelectronics.net](mailto:sales@condorelectronics.net)

REV	DESCRIPTION	DATE	BY
A			