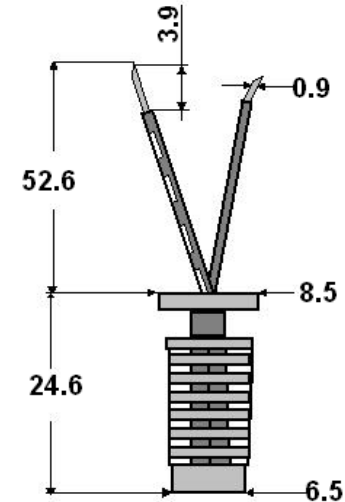
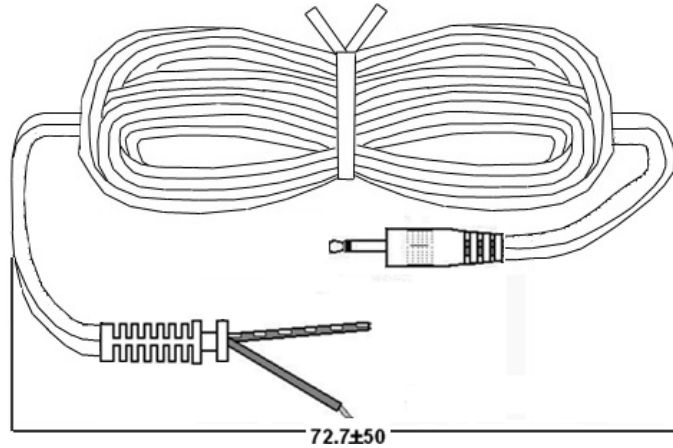
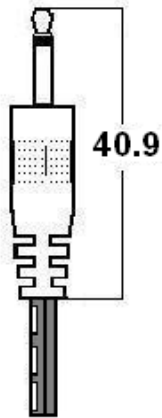


Tolerance is ±.5MM unless otherwise specified.



STRAIN RELIEF FRONT VIEW

PLUG: 202 (3.5 x 14MM MALE), TIP POSITIVE, WHITE WIRE POSITIVE

END: STRIPPED AND TINNED LEADS WITH STRAIN RELIEF

LENGTH: 6FT± 2 IN.

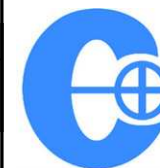
WIRE TYPE: 22AWG X2C, AWM STYLE 2468, VW-1, 80°C, 300V

JACKET: BLACK, FLAT

APPROVALS:

PART TITLE	SINGLE ENDED 6FT 22AWG CABLE ASSEMBLY WITH 202 MALE PLUG AND A STRAIN RELIEF WITH STRIPPED AND TINNED LEADS
-------------------	---

PART NUMBER	CA202-6FT-22AWG-SR-S/ T
DATE	06.16.2011
APPROVAL	EB
UNIT	MM



CONDOR ELECTRONICS, INC.
 T: 408-745-7141 F: 408-745-0439
 780 Montague Expy. Ste. 406
 San Jose, CA 95131 USA
 sales@condorelectronics.net

REV	DESCRIPTION	DATE	BY
A			