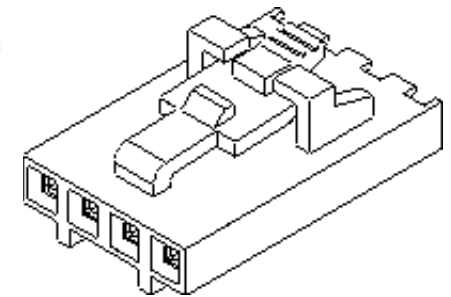
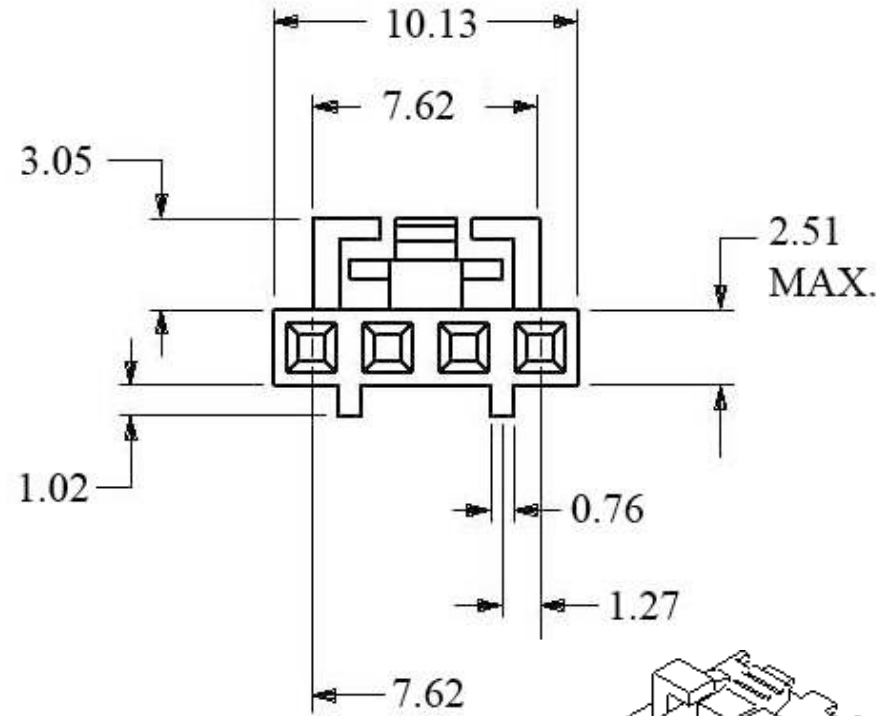
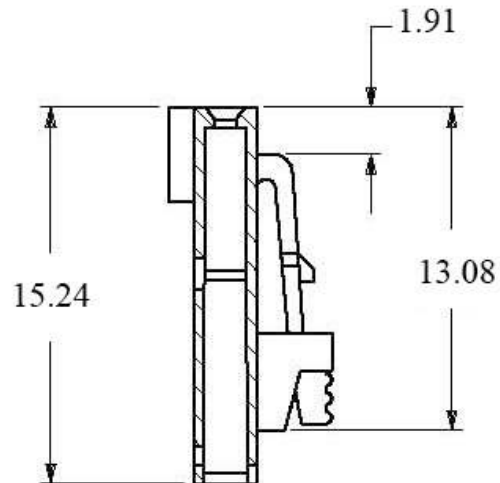
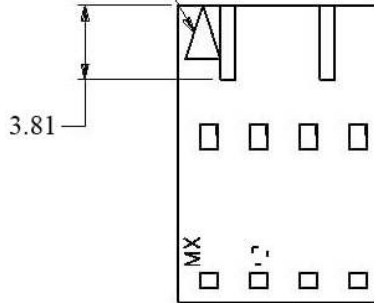




CIRCUIT NO. 1  
I.D.



REV	DESCRIPTION	DATE	BY
A			
B			

PART NO.	MOL : 50-57-9404
DATE	02.14.12
APPROVAL	EB
UNIT	mm
REV	ø

PART TITLE	4 Pin Molex Crimp Series, .030" Center
------------	---



**CONDOR ELECTRONICS, INC.**  
 T: 408-745-7141 F: 408-745-0439  
 780 Montague Expy. Ste. 406  
 San Jose, CA 95131 USA  
[sales@condorelectronics.net](mailto:sales@condorelectronics.net)